

SPARE PARTS LIST

LISTINO RICAMBI / ERSATZTEILLISTE / LISTE DE PIÈCES DE RECHANGE / LISTADO DE REPUESTOS

STARSOIL

Code	Description	Descrizione	Beschreibung	Description	Descripción
01-0075	Frame	telaio	Rahmen	Chassis	Chasis
02-0030	Rotor	rotore	Rotor	Rotor	Rotor
03-0098	alignment of the PTO shaft	allineamento del cardano	Neigungsanpassung des Getriebes	alignment du Boitier	alineación del cardàn
03-0129	Gearbox	moltiplicatore ad assi paralleli	Seitliches Stirnradgetriebe	Boitier with parallel gears	Caja de cambio
03-0130	Gearbox Comer 1000 rpm with free wheel	moltiplicatore Comer 1000 rpm a ruota libera	Getriebe Comer 1000 rpm mit Freilauf	Boitier Comer 1000 rpm avec roue libre	Caja de cambio Comer 1000 rpm con rueda libre
03-0131	Transmission	trasmissione	Getriebe	Transmission	Transmision
04-0046	OPT 062 hydraulic top link	OPT 062 terzo punto idraulico	OPT 062 hydr. Oberlenker	OPT 062 troisième point hyd.	OPT 062 tercer punto hidr.
12-0048	Hydraulic plant	Impianto idraulico	Hydraulische Anlag	Installation hydraulique	Installacion hiraulica
15-0003	Compating roller	rullo appoggio	Festigungswalze	rouleau compacteur	rodillo compactador
15-0014	Adjustable grader blade	lama livellatrice	Planierschild	lame niveuse	cuchilla niveladora

Released 23/06/2015

Valid from:	
Valida da:	
Gültig ab:	2015
Valable à partir du:	
En vigor a partir del:	

LEGENDA			
INFO	+	-	#
EN	and	to	or
ITA	e	a	o
DE	und	bis	oder
FR	et	à	ou
SP	y	hasta	o

Released 23/06/2015

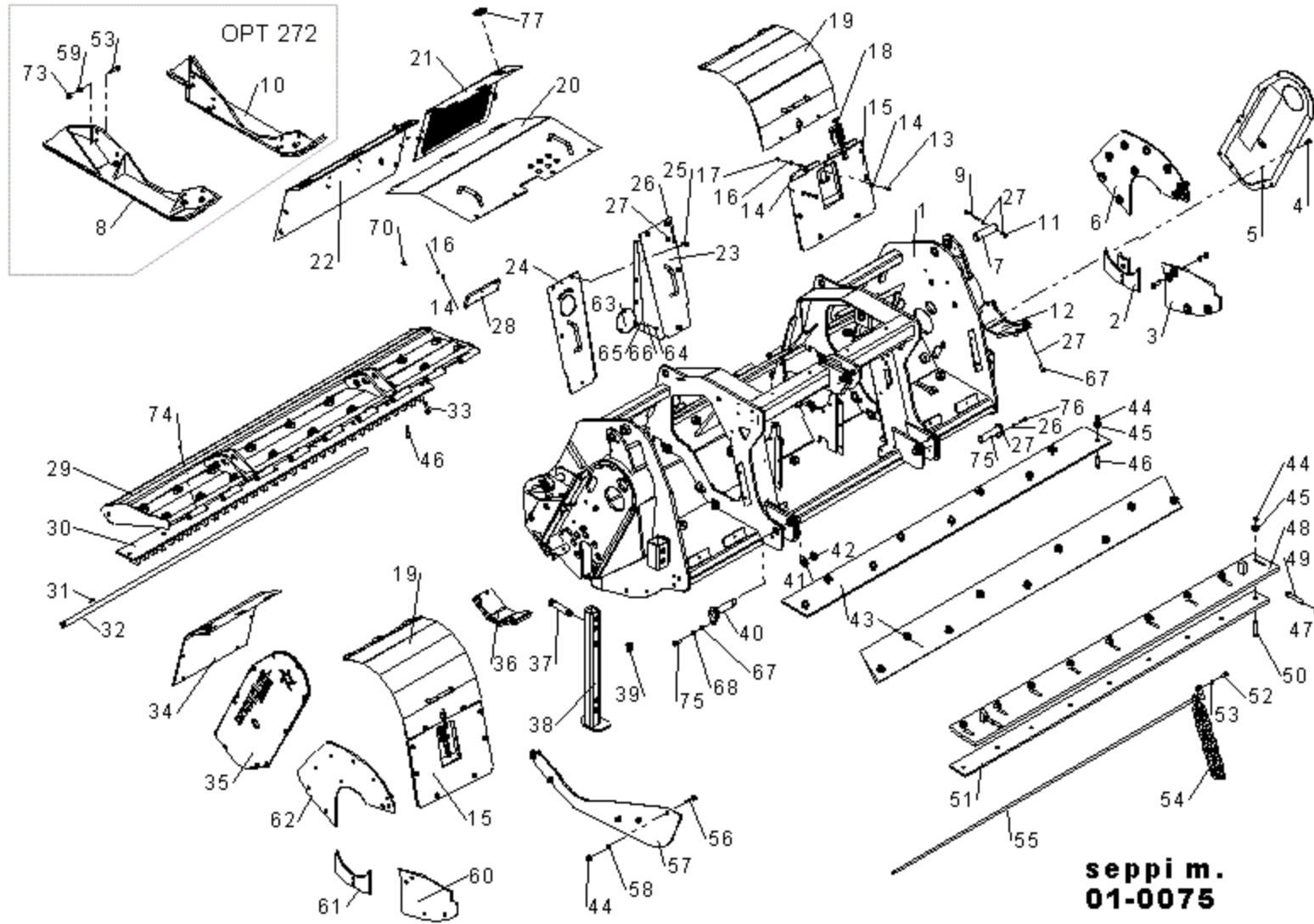
Frame

telaio

Rahmen

Chassis

Chasis



Pos.	Code	Description	Descrizione	Beschreibung	Description	Descripción	Info
001	16901185	FRAME STARSOIL L=175	TELAIO STARSOIL L=175	RAHMEN STARSOIL L=175	CH?SSIS STARSOIL L=175	CHASIS STARSOIL L=175	
001	16901186	FRAME STARSOIL L=200	TELAIO STARSOIL L=200	RAHMEN STARSOIL L=200	CH?SSIS STARSOIL L=200	CHASIS STARSOIL L=200	
001	16901187	FRAME STARSOIL L=225	TELAIO STARSOIL L=225	RAHMEN STARSOIL L=225	CH?SSIS STARSOIL L=225	CHASIS STARSOIL L=225	
001	16901188	FRAME STARSOIL L=250	TELAIO STARSOIL L=250	RAHMEN STARSOIL L=250	CH?SSIS STARSOIL L=250	CHASIS STARSOIL L=250	
002	16901021	TAB CPL LH STARSOIL	LINGUELLA CPL SX STARSOIL	KPL. VERSCHL.STUECK LINKS STARSOIL	CHARNIÈRE CPL GAUCHE STARSOIL	LENGÜETA CPL IZQ STARSOIL	
003	17101059	FRONT LH PLATE CPL. MULTIFORST	PIASTRA ANT.CPL.SX MULTIFORST	PLATTE VORNE KPL.LINKS MULTIFORST	PLAQUE POST.CPL.GAUCHE MULTIFORST	PLACA ANT.CPL IZQ MULTIFORST	
004	16910029	LH FRAME COVER CPL	COPERCHIO CORNICE CPL SX	VERSCHLUSS RAHMEN KPL LINKS	COUVERCLE CADRE CPL GAUCHE	TAPA DE MARCO CPL IZQ	
005	96607723	BOLT TE M10X 30 UNI 5739 10.9 ZN	VITE TE M10X 30 UNI 5739 10.9 ZN	SCHRAUBE TE M 10 X 30 UNI 5739 10.9 ZN	VIS TE M10X 30 UNI 5739 10.9 ZN	TORNILLO TE M10X 30 UNI 5739 10.9 ZN	
006	17101056	REAR LH PLATE CPL. MULTIFORST	PIASTRA POST.CPL.SX MULTIFORST	PLATTE HINTEN KPL.LINKS MULTIFORST	PLAQUE POST.CPL.GAUCHE MULTIFORST	PLACA POST.CPL IZQ MULTIFORST	
007	16915001	PIN D40 141 WITH BORE D11 RECT H6	PERNO D40 L=141 CON FORO D11 RETT H6	BOLZEN D40 141 F.BOHRUNG D11 RECHTE.H6	PIVOT D40 141 AVEC TROU D11 RECT H6	PERNO D40 141 CON AGUJERO D11 RECT H6	
011	97971821	LOW.SELFBLOCK.NUT M 10-6S UNI7474	DADO AUTOBLOC.BASSO M10-6S UNI7474	SELBSTSICHER.MUTTER M10-6S UNI7474 NIED.	ECROU AUTOSERR.M 10-6S UNI7474	TUERCA AUTO BLOQ. BAJA M 10-6S UNI7474	
012	16901234	LX FRAME CLOSING	CHIUSURA CORNICE SX	VERSCHLUSS RAHMEN LINKS	FERMETURE CADRE GAUCHE	CIERRE DE MARCO IZQ	
013	97035177	BOLT TCEI M 08X025 UNI 7380 10.9 ZN	VITE TBEI M 8X 25 ISO 7380 10.9 ZN	SCHRAUBE TBEI M 8 X 25 UNI 7380 10.9 ZN	VIS TCEI M 08X025 UNI 7380 10.9 ZN	TORNILLO TBEI M 8X 25 ISO 7380 10.9 ZN	
015	16910051	SIDE COVER CPL L=175	COPERCHIO LATERALE CPL L=175	SEITENWANDSCHUTZ KPL L=175	COUVERCLE LAT?RAL CPL L=175	TAPA LATERAL CPL L=175	
015	16910052	SIDE COVER CPL L=200	COPERCHIO LATERALE CPL L=200	SEITENWANDSCHUTZ KPL L=200	COUVERCLE LAT?RAL CPL L=200	TAPA LATERAL DER CPL L=200	
015	16910053	SIDE COVER CPL L=225	COPERCHIO LATERALE CPL L=225	SEITENWANDSCHUTZ KPL L=225	COUVERCLE LAT?RAL CPL L=225	TAPA LATERAL DER CPL L=225	
015	16910054	SIDE COVER CPL L=250	COPERCHIO LATERALE CPL L=250	SEITENWANDSCHUTZ KPL L=250	COUVERCLE LAT?RAL CPL L=250	TAPA LATERAL DER CPL L=250	
017	97971721	LOW.SELFBLOCK.NUT M 8-6S UNI7474	DADO AUTOBLOC.BASSO M 8-6S UNI7474	SELBSTSICHER.MUTTER M 8-6S UNI7474 NIED.	ECROU AUTOSERR.M 8-6S UNI7474	TUERCA AUTO BLOQ. BAJA M 8-6S UNI7474	
018	16910001	SNAP CLOSURE L=232 2000KG	CHIUSURA SNAP L=232 2000KG	VERSCHLUSS SNAP L=232 2000KG	FERMETURE SNAP L=232 2000KG	CIERRE SNAP L=232 2000KG	
019	16910039	UPPER SIDE COVER CPL L=175	COPERCHIO LAT SUPERIORE CPL L=175	DECKEL SEIT. OBEN CPL L=175	COUVERCLE LAT. SUP? RIEUR CPL L=175	TAPA LATERAL SUPERIOR CPL L=175	
019	16910040	UPPER SIDE COVER CPL L=200	COPERCHIO LAT SUPERIORE CPL L=200	DECKEL SEIT. OBEN KPL L=200	COUVERCLE LAT SUP?RIEUR CPL L=200	TAPA LATERAL SUPERIOR CPL L=200	
019	16910041	UPPER SIDE COVER CPL L=225	COPERCHIO LAT SUPERIORE CPL L=225	DECKEL SEIT. OBEN CPL L=225	COUVERCLE LAT. SUP? RIEUR CPL L=225	TAPA LATERAL SUPERIOR CPL L=225	
019	16910042	UPPER SIDE COVER CPL L=250	COPERCHIO LAT SUPERIORE CPL L=250	DECKEL SEIT. OBEN CPL L=250	COUVERCLE LAT. SUP? RIEUR CPL L=250	TAPA LATERAL SUPERIOR CPL L=250	
020	16901238	CENTRAL UPPER COVER UN.	GR. COPERCHIO SUPERIORE CENTRALE	GR. DECKEL OBEN ZENTRAL	GR. COUVERCLE SUP?RIEUR CENTRAL	GR. TAPA SUPERIOR CENTRAL	
021	16901162	REAR COVER CPL LH 175	COPERCHIO POSTERIORE CPL SX 175	HINTERER DECKEL CPL LINKS 175	COUVERCLE POST?RIEUR CPL GAUCHE 175	TAPA POSTERIOR CPL IZQ 175	
021	16901164	REAR COVER CPL LH 200	COPERCHIO POSTERIORE CPL SX 200	HINTERER DECKEL KPL LINKS 200	COUVERCLE POST?RIEUR CPL GAUCHE 200	TAPA POSTERIOR CPL IZQ 200	
021	16901166	REAR COVER CPL LH 225	COPERCHIO POSTERIORE CPL SX 225	HINTERER DECKEL CPL LINKS 225	COUVERCLE POST?RIEUR CPL GAUCHE 225	TAPA POSTERIOR CPL IZQ 225	
021	16901168	REAR COVER CPL LH 250	COPERCHIO POSTERIORE CPL SX 250	HINTERER DECKEL CPL LINKS 250	COUVERCLE POST?RIEUR CPL GAUCHE 250	TAPA POSTERIOR CPL IZQ 250	
022	16901236	CENTRAL SLOTTED CLOSURE UN.	GR. CHIUSURA CENTRALE ASOLATA	GR. VERSCHLUSS ZENTRAL MIT OESE	GR. FERMETURE CENTRALE PERFOR?E	GR. CIERRE CENTRAL CON ORIFICIO	
023	16901117	CENTRAL FRONT LH COVER CPL	COPERCHIO ANTERIORE SX CENTRALE CPL	ABDECKUNG VORNE LINKS ZENTRAL KPL	COUVERCLE ANT?RIEUR GAUCHE CENTRAL CPL	CUBIERTA ANTERIOR IZQ. CENTRAL CPL	

Pos.	Code	Description	Descrizione	Beschreibung	Description	Descripción	Info
024	16901116	CENTRAL FRONT RH COVER CPL	COPERCHIO ANTERIORE DX CENTRALE CPL	ABDECKUNG VORNE RECHTS ZENTRAL KPL	COUVERCLE ANT?RIEUR DROIT CENTRAL CPL	CUBIERTA ANTERIOR DERECH. CENTRAL CPL	
025	96607631	HEX HEAD SCREW M10X 25 UNI 5739 10.9 GV	VITE TE M10X 25 UNI 5739 10.9 ZN	SCHRAUBE TE M10X 25 UNI 5739 10.9 ZN	VIS TH M10X 25 UNI 5739 10.9 ZN	TORNILLO TE M10X 25 UNI 5739 10.9 GALV	
026	97494931	WASHER ELSP ASA B- 27 - 10,2X18,1X2,2 ZN	RONDELLA DIN 127B ELSP- 10,2X18,1X2,2 Z	SCHEIBE ELSP ASA B-27 - 10,2X18,1X2,2 ZN	RONDELLE ELS ASA B- 27 - 10,2X18,1X2,2 Z	ARANDELA ELSP ASA B-27- 10,2X18,1X2,2 ZN	
027	97095111	SMOOTH WASHER UNI 6592 - 10,5X21X2,0 ZN	ROSETTA PIANA 10,5X20X2,0 M10 ZN UNI6592	GLATTE SCHEIBE UNI 6592 - 10,5X21X2 ZN	RONDELL.LISSE UNI 6592 - 10,5X21X2,0 ZN	ARANDELA PLANA UNI 6592- 10,5X21X2,0 ZN	
028	16901170	VALVE SUPPORT	SUPPORTO VALVOLA	VENTILHALTERUNG	SUPPORT SOUPAPE	SOPORTE DE LA V?LVULA	
029	16908009	HOOD CPL L=175 OPT 049	COFANO CPL L=175 OPT 049	KPL. HAUBE L=175 OPT 049	CAPOT CPL L=175 OPT 049	CAPÉ CPL L=175 OPT 049	
029	16908010	HOOD CPL L=200 OPT 049	COFANO CPL L=200 OPT 049	KPL. HAUBE L=200 OPT 049	CAPOT CPL L=200 OPT 049	CAPÉ CPL L=200 OPT 049	
029	16908011	HOOD CPL L=225 OPT 049	COFANO CPL L=225 OPT 049	KPL. HAUBE L=225 OPT 049	CAPOT CPL L=225 OPT 049	CAPÉ CPL L=225 OPT 049	
029	16908012	HOOD CPL L=250 OPT 049	COFANO CPL L=250 OPT 049	KPL. HAUBE L=250 OPT 049	CAPOT CPL L=250 OPT 049	CAPÉ CPL L=250 OPT 049	
030	17108072	PLATE HARDOX CPL.80 X TH.8 L=175	PIATTO HARDOX CPL. 80 X SP. 8 L=175	PLATTE HARDOX KPL. 80 FUER SP. 8 L=175	PLATEAU HARDOX CPL. 80 X ?P. 8 L=175	PLATO HARDOX CPL. 80 X ESP. 8 L=175	
030	17108073	PLATE HARDOX CPL. 80 X TH. 8 L=200	PIATTO HARDOX CPL. 80 X SP. 8 L=200	PLATTE HARDOX KPL. 80 X SP. 8 L=200	PLATEAU HARDOX CPL. 80 X ÉP. 8 L=200	PLATO HARDOX CPL. 80 X ESP. 8 L=200	
030	17108074	PLATE HARDOX CPL. 80 X TH. 8 L=225	PIATTO HARDOX CPL. 80 X SP. 8 L=225	PLATTE HARDOX KPL. 80 X SP. 8 L=225	PLATEAU HARDOX CPL 80 X ÉP. 8 L=225	PLATO HARDOX CPL. 80 X ESP. 8 L=225	
030	17108075	PLATE HARDOX CPL. 80 X TH. 8 L=250	PIATTO HARDOX CPL. 80 X SP. 8 L=250	PLATTE HARDOX KPL. 80 X SP. 8 L=250	PLATEAU HARDOX CPL 80 X ÉP. 8 L=250	PLATO HARDOX CPL. 80 X ESP. 8 L=250	
031	97259771	ROLL PIN 08X36	SPINA ELASTICA 08X36	SPANNSTIFT 08 X 36	GOUJON ELAST. 08X36	PERNO ELASTICO 08X36	
032	17108033	BAR FOR PLATES HARDOX L=250	BARRA PER PIASTRE HARDOX L=250	STANGE FUER PLATTEN HARDOX L=250	BARRE POUR PLAQUES HARDOX L=250	BARRA PARA PLACAS HARDOX L=250	
032	17808024	BAR FOR PLATES HARDOX L=225	BARRA PER PIASTRE HARDOX L=225	STANGE FUER PLATTEN HARDOX L=225	BARRE POUR PLAQUES HARDOX L=225	BARRA PARA PLACAS HARDOX L=225	
032	19108048	SHAFT HARDOX L=175	BARRA PER PIASTRE HARDOX L=175	STAB F. HARDOX-PLATTEN L=175	BARRE HARDOX L=175	BARRA HARDOX L=175	
032	19108049	SHAFT HARDOX L=200	BARRA PER PIASTRE HARDOX L=200	STAB F. HARDOX-PLATTEN L=200	BARRE HARDOX L=200	BARRA HARDOX L=200	
033	96611827	HEX HEAD SCREW M14X 50 UNI 5737 8.8 BLAC	VITE TE M14X 50 UNI 5737 8.8 NERA	SCHRAUBE TE M14X 50 UNI 5737 8.8 SCHW.	VIS TH M14X 50 UNI 5737 8.8 NOIRE	TORNILLO TE M14X 50 UNI 5737 8.8 NEGRO	
034	16901163	REAR COVER CPL RH 175	COPERCHIO POSTERIORE CPL DX 175	HINTERER DECKEL KPL RECHTS 175	COUVERCLE POST?RIEUR CPL DROIT 175	TAPA POSTERIOR CPL DER 175	
034	16901165	REAR COVER CPL RH 200	COPERCHIO POSTERIORE CPL DX 200	HINTERER DECKEL KPL RECHTS 200	COUVERCLE POST?RIEUR CPL DROIT 200	TAPA POSTERIOR CPL DER 200	
034	16901167	REAR COVER CPL RH 225	COPERCHIO POSTERIORE CPL DX 225	HINTERER DECKEL KPL RECHTS 225	COUVERCLE POST?RIEUR CPL DROIT 225	TAPA POSTERIOR CPL DER 225	
034	16901169	REAR COVER CPL RH 250	COPERCHIO POSTERIORE CPL DX 250	HINTERER DECKEL KPL RECHTS 250	COUVERCLE POST?RIEUR CPL DROIT 250	TAPA POSTERIOR CPL DER 250	
035	16910028	RH FRAME COVER CPL	COPERCHIO CORNICE CPL DX	VERSCHLUSS RAHMEN KPL RECHTS	COUVERCLE CADRE CPL DROIT	TAPA DE MARCO CPL DER	
036	16901233	RH FRAME CLOSING	CHIUSURA CORNICE DX	VERSCHLUSS RAHMEN RECHTS	FERMETURE CADRE DROIT	CIERRE DE MARCO DER	
037	11904112	PIN D25,5 X 110	PERNO D25,5 X 110 PER 3° PUNTO	BOLZEN D25,5 X 110	PIVOT D25,5 X 110	PERNO D25,5 X 110	
038	16910020	CPL FOOT	PIEDINO CPL	STUETZE KPL	PIED CPL	PIE CPL	
039	16004015	COTTER PIN D.06	SPINA A SCATTO D.06	HUELSE D.06	GOUPILLE DE SÛRETÉ D.06	PERNIO DE DISPARO D.06	
040	16904001	PIN WITH DRIP D36,6X120 M30X1,5 M12	PERNO CON GOCCIA D36,6X120 M30X1,5 M12	BOLZEN M.FIXIERUNG D36,6X120 M30X1,5 M12	PIVOT AVEC GOUTTE D36,6X120 M30X1,5 M12	PERNO CON GOTA D36,6X120 M30X1,5 M12	
041	97094011	SMOOTH WASHER UNI 6592 - 31,0X56X4,0ZN	ROSETTA PIANA 30,5X56X4,0 M30 ZN UNI6592	GLATTE SCHEIBE UNI 6592 - 31X56X4 ZN	RONDELL.LISSE UNI 6592 - 31,0X56X4,0 ZN	ARANDELA PLANA UNI 6592- 31,0X56X4,0 ZN	
042	75000180	SELF LOCKING RING NUT M30 X 1.5	GHIERA AUTOBLOCCANTE M30 X 1,5	SELBSTFIX.NUTMUTTER M30 X 1,5	ANNEAU DE FIXATION AUTO-BLOQUANT M30 X 1	VIROLA AUTO BLOQUEADORA M30 X 1,5	

Pos.	Code	Description	Descrizione	Beschreibung	Description	Descripción	Info
043	16901024	REINFORCEMENT HARDOX CPL.190 X TH.8 175	RINFORZO HARDOX CPL.190 X SP.8 L=175	VERSTAERKUNG HARDOX CPL.190 X SP.8 L=175	RENFORT HARDOX CPL.190 X ?P.8 L=175	REFUERZO HARDOX CPL.190 X ESP.8 L=175	
043	17101086	REINFORCEMENT HARDOX CPL.190XTH.8 L=200	RINFORZO HARDOX CPL.190 X SP.8 L=200	VERST. HARDOX KPL.190 F. SP.8 L=200	RENFORT HARDOX CPL.190XÉP.8 L=200	REFUERZO HARDOX CPL.190XESP.8 L=200	
043	17101087	REINFORCEMENT HARDOX CPL.190XTH.8 L=225	RINFORZO HARDOX CPL.190 X SP.8 L=225	VERST. HARDOX KPL.190 F. SP.8 L=225	RENFORT HARDOX CPL.190XÉP.8 L=225	REFUERZO HARDOX CPL.190XESP.8 L=225	
043	17101088	REINFORCEMENT HARDOX CPL.190XTH.8 L=250	RINFORZO HARDOX CPL.190 X SP.8 L=250	VERST. HARDOX KPL.190 F. SP.8 L=250	RENFORT HARDOX CPL.190XÉP.8 L=250	REFUERZO HARDOX CPL.190XESP.8 L=250	
044	97972321	LOW.SELFBLOCK.NUT M 14-6S UNI7474	DADO AUTOBLOC.BASSO M14-6S UNI7474	SELBSTSICHER.MUTTER M14-6S UNI7474 NIED.	ECROU AUTOSERR.M 14-6S UNI7474	TUERCA AUTO BLOQ. BAJA M 14-6S UNI7474	
045	19201010	SPRING 40X14,3X2 N	MOLLA A TAZZA 40X14,3X2	TELLERFEDER 40X14,3X2	RESSORT 40X14,3X2 N	MUELLE 40X14,3X2 N	
046	96612727	BOLT TE M14X 55 UNI 5739 8.8 NERA	VITE TE M14X 55 UNI 5739 8.8 NERA	SCHRAUBE TE M 14 X 55 UNI 5739 8.8 SCHW	VIS TE M14X 55 UNI 5739 8.8 NERA	TORNILLO TE M14X 55 UNI 5739 8.8 NERA	
047	96980271	NUT M 14-6S UNI5589 H=08	DADO M14-6S UNI5589 BASSO H=08 ZN	MUTTET M 14-6S UNI5589 H=08 NIEDER	ECR.M 14-6S UNI5589 H=08	TUERCA M 14-6S UNI5589 BAJA H=08 GALV.	
048	16901224	ADJUSTABLE ANVIL CPL L=175	INCUDINE REGOLABILE CPL L=175	AMBOSS EINSTELLBAR KPL L=175	ENCLUME R?GLABLE CPL L=175	YUNQUE REGULABLE CPL L=175	
048	16901225	ADJUSTABLE ANVIL CPL L=200	INCUDINE REGOLABILE CPL L=200	AMBOSS EINSTELLBAR KPL L=200	ENCLUME R?GLABLE CPL L=200	YUNQUE REGULABLE CPL L=200	
048	16901226	ADJUSTABLE ANVIL CPL L=225	INCUDINE REGOLABILE CPL L=225	AMBOSS EINSTELLBAR KPL L=225	ENCLUME R?GLABLE CPL L=225	YUNQUE REGULABLE CPL L=225	
048	16901227	ADJUSTABLE ANVIL CPL L=250	INCUDINE REGOLABILE CPL L=250	AMBOSS EINSTELLBAR KPL L=250	ENCLUME RÉGLABLE CPL L=250	YUNQUE REGULABLE CPL L=250	
049	96621627	HEX HEAD SCREW M14X100 UNI 5739 8.8 BLAC	VITE TE M14X100 UNI 5739 8.8 NERA	SCHRAUBE TE M14X100 UNI 5739 8.8 SCHW.	VIS TH M14X100 UNI 5739 8.8 NOIRE	TORNILLO TH M14X100 UNI 5739 8.8 NEGRO	
050	96619423	HEX HEAD SCREW M14X 80 UNI 5739 10.9 GV	VITE TE M14X 80 UNI 5739 10.9 ZN	SCHRAUBE TE M14X 80 UNI 5739 10.9 ZN	VIS TH M14X 80 UNI 5739 10.9 ZN	TORNILLO TH M14X 80 UNI 5739 10.9 GALV.	
051	17101047	REINFORCEMENT HARDOX CPL 120XTH 12 L=250	RINFORZO HARDOX CPL 120 X SP 12 L=250	VERST.HARDOX KPL 120XSP 12 L=250	RENFORT HARDOX CPL 120 P.30 ÉP 12 L=250	REFUERZO HARDOX CPL 120XESP 12 L=250	
051	17801010	REINFORCEMENT HARDOX CPL 120XTH 12 L=225	RINFORZO HARDOX CPL 120 X SP 12 L=225	VERST.HARDOX KPL 120XSP 12 L=225	RENFORT HARDOX CPL 120 P.30 ÉP 12 L=225	REFUERZO HARDOX CPL 120XESP 12 L=225	
051	19101043	PLATE HARDOX CPL 120 X SP 12 L=175	RINFORZO HARDOX CPL 120 X SP 12 L=175	VERSTAERKUNG HARDOX KPL 120 X 12 L=175	PLATE HARDOX CPL 120 X SP 12 L=175	PLAQUE HARDOX CPL 120 X SP 12 L=175	
051	19101044	PLATE HARDOX CPL 120 X SP 12 L=200	RINFORZO HARDOX CPL 120 X SP 12 L=200	VERSTAERKUNG HARDOX KPL 120 X 12 L=200	PLATE HARDOX CPL 120 X SP 12 L=200	PLAQUE HARDOX CPL 120 X SP 12 L=200	
052	96607721	BOLT TE M 10X030 UNI 5739 8.8 ZN	VITE TE M10X 30 UNI 5739 8.8 ZN	SCHRAUBE TE M 10 X 30 UNI 5739 8.8 ZN	VIS TE M 10X030 UNI 5739 8.8 ZN	TORNILLO TE M10X 30 UNI 5739 8.8 ZN	
054	19010027	CHAIN PROT. 17 CHAINS LINK 12	CATENA DI PROTEZIONE 17 MAGLIE FILO 12	SCHUTZKETTE 17-MASCHEN 12 MM	CHAINE DE PROT. 17 CHAIN.MAIL. 12	CADENA DE PROTECC. 17 ESLABONES HILO 12	
055	17910220	CHAIN HODER BAR MIDIFORST L=175 MOD 06	ASTA CATENE CPL MIDIFORST L=175 MOD 06	STAB F. KETTENSCHUTZ MIDIFORST L=175 '06	BARR.CHAINE MIDIFORST L=175 MOD 06	BARRA PARA CADENA MIDIFORST L=175 MOD 06	
055	17910221	CHAIN HODER BAR MIDIFORST L=200 MOD 06	ASTA CATENE CPL MIDIFORST L=200 MOD 06	STAB F. KETTENSCHUTZ MIDIFORST L=200 '06	BARR.CHAINE MIDIFORST L=200 MOD 06	BARRA PARA CADENA MIDIFORST L=200 MOD 06	
055	17910222	CHAIN HODER BAR MIDIFORST L=225 MOD 06	ASTA CATENE CPL MIDIFORST L=225 MOD 06	STAB F. KETTENSCHUTZ MIDIFORST L=225 '06	BARR.CHAINE MIDIFORST L=225 MOD 06	BARRA PARA CADENA MIDIFORST L=225 MOD 06	
055	17910223	CHAIN HODER BAR MIDIFORST L=250 MOD 06	ASTA CATENE CPL MIDIFORST L=250 MOD 06	STAB F. KETTENSCHUTZ MIDIFORST L=250 '06	BARR.CHAINE MIDIFORST L=250 MOD 06	BARRA PARA CADENA MIDIFORST L=250 MOD 06	
056	96612021	BOLT TE M 14X055 UNI 5737 8.8 ZN	VITE TE M14X 55 UNI 5737 8.8 ZN	SCHRAUBE TE M 14 X 55 UNI 5737 8.8 ZN	VIS TE M 14X055 UNI 5737 8.8 ZN	TORNILLO TE M14X 55 UNI 5737 8.8 ZN	
057	16907001	ANTIWEAR EDGE	COSTA ANTIUSURA	TRAEGER VERSCHLEISSFEST	CÊT? ANTI-USURE	CANTO ANTI-DESGASTE	
058	97495131	WASHER ELSP ASA B- 27 - 14,2X24,1X3 ZN	RONDELLA DIN 127B ELSP-14,2X24,1X3 Z	SCHEIBE ELSP ASA B- 27 - 14,2X24,1X3 ZN	RONDELLE ELS ASA B- 27 - 14,2X24,1X3 ZN	ARANDELA ELSP ASA B-27-14,2X24,1X3 ZN	
060	17101060	FRONT RH PLATE CPL. MULTIFORST	PIASTRA ANT.CPL.DX MULTIFORST	PLATTE VORNE KPL.RECHTS MULTIFORST	PLAQUE ANT.CPL.DROITE MULTIFORST	PLACA ANT.CPL DER MULTIFORST	
061	16901002	TAB CPL RH STARSOIL	LINGUELLA CPL DX STARSOIL	KPL. VERSCHL.STUECK RECHTS STARSOIL	CHARNIÈRE CPL DROITE STARSOIL	LENGÜETA CPL DX STARSOIL	
062	17101057	REAR RH PLATE CPL. MULTIFORST	PIASTRA POST.CPL.DX MULTIFORST	PLATTE HINTEN KPL.RECHTS MULTIFORST	PLAQUE POST.CPL.DROIT MULTIFORST	PLACA POST.CPL DER MULTIFORST	

Pos.	Code	Description	Descrizione	Beschreibung	Description	Descripción	Info
067	97095311	SMOOTH WASHER UNI 6592 - 12X24X2,5 ZN	ROSETTA PIANA 13,0X24X2,5 M12 ZN UNI6592	GLATTE SCHEIBE UNI 6592 - 12X24X2,5 ZN	RONDELL.LISSE UNI 6592 - 12X24X2,5 ZN	ARANDELA PLANA UNI 6592-12,0X24X2,5 ZN	
068	97495031	WASHER ELSP ASA B- 27 - 12,2X21,2X2,5 ZN	RONDELLA DIN 127B ELSP-12,2X21,2X2,5 Z	SCHEIBE ELSP ASA B-27 - 12,2X21,2X2,5 ZN	RONDELLE ELS ASA B- 27 - 12,2X21,2X2,5 Z	ARANDELA ELSP ASA B-27-12,2X21,2X2,5 ZN	
069	96612527	BOLT TE M 14X045 UNI 5739 8.8 BLACK	VITE TE M14X 45 UNI 5739 8.8 NERA	SCHRAUBE TE M 14 X 45 UNI 5739 8.8 SCHW	VIS TE M 14X045 UNI 5739 8.8 NOIRE	TORNILLO TE M14X 45 UNI 5739 8.8 NEGRO	
070	97034023	HEX SOCKET BUTTON CAP SCREW M 8X 20 ISO	VITE TBEI M 8X 20 ISO 7380 10.9 ZN	SCHRAUBE TBEI M 8X 20 ISO 7380 10.9 ZN	VIS BHC M 8X 20 ISO 7380 10.9 ZN	TORN.CRHI M 8X 20 ISO 7380 10.9 GALV.	
071	97495134	WASHER ELSP ASA B- 27 - 14,2X24,1X3 N	RONDELLA DIN 127B ELSP-14,2X24,1X3 N	SCHEIBE ELSP ASA B- 27 - 14,2X24,1X3 N	RONDELLE ELS ASA B- 27 - 14,2X24,1X3 N	ARANDELA ELSP ASA B-27-14,2X24,1X3 N	
074	97036611	GREASE NIPPLE UNI 7663 AM 6-5.8	INGRASS DIRITTO UNI 7663A M 6X1(5-8CH7	SCHMIERNIPPEL UNI 7663 AM 6X1 (5-8)	GRAISSEUR UNI 7663 AM 6-5.8	LUBRICADOR UNI 7663 AM 6X1 (5-8CH7	
075	20004040	PIN WITH PLATE D31,7 X L=135 INT=45	PERNO CON GOCCIA D31,7X135 INT=45 M10	BOLZEN M. PLATTE D31,7 X L=135 INT=45	GAUJON A.PLAQUE D31,7 X L=135 INT=45	PERNO CON PLACA D31,7 X L=135 INT=45	
075	97035711	BOLT TBEI M12X 40 ISO 7380 10.9 ZN	VITE TBEI M12X 40 ISO 7380 10.9 ZN	SCHRAUBE TBEI M12X 40 ISO 7380 10.9 ZN	VIS TBEI M12X 40 ISO 7380 10.9 ZN	TORNILLO TBEI M12X 40 ISO 7380 10.9 ZN	
077	16910062	RUBBER FEEDTHROUGH RING 60X48X4	ANELLO PASSATUBI IN GOMMA 60X48X4	ROHRDURCHGANG AUS GUMMI 60X48X4	BAGUE DE SERTISSAGE EN CAOUTCHOUC 60X48X	ANILLO PARA TUBOS DE GOMA 60X48X4	

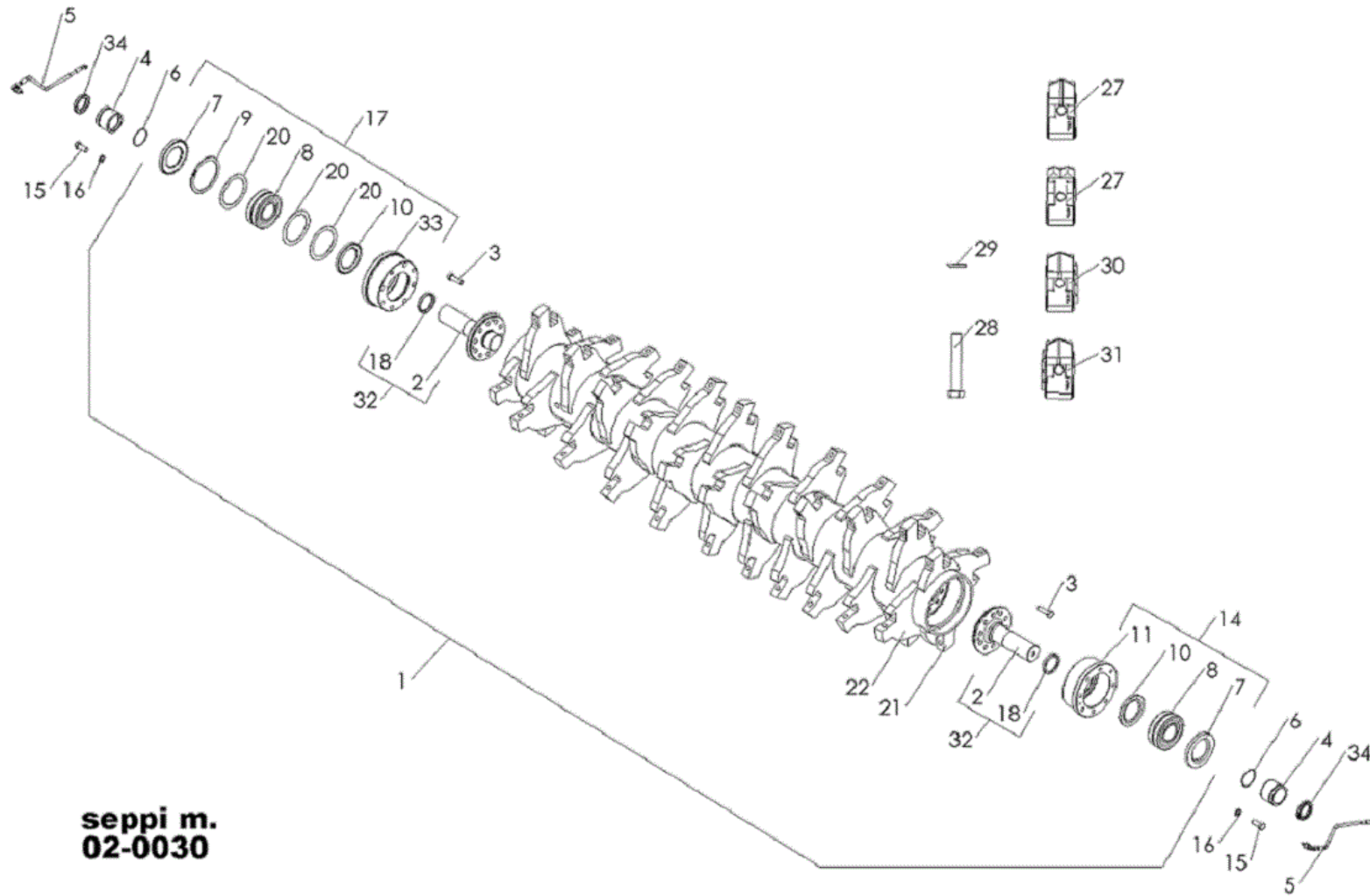
Rotor

rotore

Rotor

Rotor

Rotor



Pos.	Code	Description	Descrizione	Beschreibung	Description	Descripción	Info
001	16902002	ROTOR UNIT T244 L=225 OPT312+383	GR. ROTORE T244 L=225 OPT312+383	GR. ROTOR T244 L=225 OPT312+383	GR. ROTOR T244 L=225 OPT312+383	GR. ROTOR T244 L=225 OPT312+383	
001	16902011	ROTOR UNIT T244 L=250 OPT312+383	GR. ROTORE T244 L=250 OPT312+383	GR. ROTOR T244 L=250 OPT312+383	GR. ROTOR T244 L=250 OPT312+383	GR. ROTOR T244 L=250 OPT312+383	
001	16902014	ROTOR UNIT T244 L=175 OPT312+383	GR. ROTORE T244 L=175 OPT312+383	GR. ROTOR T244 L=175 OPT312+383	GR. ROTOR T244 L=175 OPT312+383	GR. ROTOR T244 L=175 OPT312+383	
001	16902017	ROTOR UNIT T244 L=200 OPT312+383	GR. ROTORE T244 L=200 OPT312+383	GR. ROTOR T244 L=200 OPT312+383	GR. ROTOR T244 L=200 OPT312+383	GR. ROTOR T244 L=200 OPT312+383	
001	16902020	ROTOR UNIT T244 L=175 OPT141+383	GR. ROTORE T244 L=175 OPT141+383	GR. ROTOR T244 L=175 OPT141+383	GR. ROTOR T244 L=175 OPT141+383	GR. ROTOR T244 L=175 OPT141+383	
001	16902023	ROTOR UNIT T244 L=200 OPT141+383	GR. ROTORE T244 L=200 OPT141+383	GR. ROTOR T244 L=200 OPT141+383	GR. ROTOR T244 L=200 OPT141+383	GR. ROTOR T244 L=200 OPT141+383	
001	16902026	ROTOR UNIT T244 L=225 OPT141+383	GR. ROTORE T244 L=225 OPT141+383	GR. ROTOR T244 L=225 OPT141+383	GR. ROTOR T244 L=225 OPT141+383	GR. ROTOR T244 L=225 OPT141+383	
001	16902029	ROTOR UNIT T244 L=250 OPT141+383	GR. ROTORE T244 L=250 OPT141+383	GR. ROTOR T244 L=250 OPT141+383	GR. ROTOR T244 L=250 OPT141+383	GR. ROTOR T244 L=250 OPT141+383	
003	96682833	HEX HEAD SCREW M16X 55X1.5 10.9 BLACK U5	VITE TE M16X 55 X 1,5 10.9 NERA U5738	SCHRAUBE TE M16X 55X1.5 10.9 SCHW. U5738	VIS TH M16X 55X1.5 10.9 NOIRE U5738	TORNILLO TH M16X 55X1.5 10.9 NEGRO U5738	
004	19702257	SPACER D65 X D80 L=18 SHORT HUB SIDE	DISTANZIALE D65 X D80 L=18 LATO MOZ CORT	DISTANZST.D65 X D80 L=18 SEITE KUR.NABE	ENTRETOISE D65 X D80 L=18 CÔTÉ MOY.COURT	DISTANCIADOR D65 X D80 L=18 LADO BUJE CO	
005	16902032	ROTOR support GREASER TUBE UNIT L=430	GR TUBETTO L=430 INGRASS CUSCIN ROTORE	GR. SCHMIERSCHLAUCH L=430 LAGER ROTOR	GR TUYAU L=430 GRAISS ROUL ROTOR	GR TUBO L=430 ENGRASE COJINE. ROTOR	
006	97284280	OIL SEAL OR 139/3218 55,25X2,62	ANELLO O-RING OR 139/3218 55,25X2,62	O-DICHTUNGSRING 139/3218 55,25 X 2,62	BAGUE ETACH. OR 139/3218 55,25X2,62	RETEN 139/3218 55,25X2,62	
007	17102103	OIL SEAL 80 X140 X13	ANELLO DI TENUTA 80 X140 X13	DICHTUNGSRING 80X140X13	ANNEAU D'ETANCHÉITÉ 80 X140 X13	ANILLO DE RETENCIÓN 80 X140 X13	
008	75000199	support 22313 65X140X48 OR.RULLI	CUSCINETTO 22313 E 65X140X48 OR.RULLI	VERST. ROLLENLAGER 22313 E 65X140X48	ROULEMENT 22313 65X140X48 OR.RULLI	RODAMIENTO 22313 E 65X140X48 RODILLOS	
009	96876676	EL.RING FOR FORI 140X4	ANELLO EL. PER FORI 140X4	SEEGERRING F. LOECHER 140X4	BAGUE ARRET P.TROUS 140X4	RETEN EL.P.ORIF.140X4	
010	17102045	SEALING RING 80 X125 X 10	ANELLO DI TENUTA 80 X125 X 10	DICHTUNGSRING 80 X125 X 10	ANNEAU D'ETANCHÉITÉ 80 X 125 X 10	RETÉN 80 X125 X 10	
011	17102101	BEAR.SUPP.WITHOUT MULTIFORST FLUE MOD.13	SUPP.CUSC. SENZA GOLA MULTIFORST MOD.13	LAGERHALT. OHNE PASSSTUECK MULTIFORST '1	SUPP.ROUL.SANS GORGE MULTIFORST MOD.13	SOP.COJ.SIN CUELLO MULTIFORST MOD.13	
014	17102102	SUPPORT CPL WITH NO MULTIF RABBET MOD.13	SUPPORTO CPL SENZA BATTUTA MULTIF.MOD.13	KPL.HALTER.OHNE MULTIF.-ANSCHLAG MOD.13	SUPPORT CPL SANS BUTÉE MULTIF.MOD.13	SOPORTE CPL SIN TOPE MULTIF.MOD.13	
015	97347427	FLAT SOCKET HEAD CAP SCREW M16X 40 UNI 5	VITE TSEI M16X 40 UNI 5933 10.9 NERA	SCHRAUBE TSEI M16X 40 UNI 5933 10.9 SCHW	VIS TSEI M16X 40 UNI 5933 10.9 NOIRE	TORN.ALLEN AVELL M16X 40 UNI 5933 10.9 N	
017	17102099	SUPPORT CPL WITH MULTIF.RABBET MOD.13	SUPPORTO CPL CON BATTUTA MULTIF. MOD.13	KPL.HALTER.MIT MULTIF.-ANSCHLAG MOD.13	SUPPORT CPL AVEC BUTÉE MULTIF.MOD.13	SOPORTE CPL CON TOPE MULTIF.MOD.13	
018	17102055	SPACER D65 X D80 L=11 INT X HUB	DISTANZIALE D65 X D80 L=11 INT X MOZZO	DISTANZST.D65 X D80 L=11 INT. FUER NABE	ENTRETOISE D65 X D80 L=11 INT POUR MOYEU	DISTANCIADOR D65 X D80 L=11 INT X BUJE	
020	17102049	SNAP RING 110 X 140 X 1	ANELLO DI SPALLAMENTO 110 X 140 X 1	DISTANZRING 110 X 140 X 1	ANNEAU D'EPAULEMENT 110 X 140 X 1	ARO DE APOYO 110 X 140 X 1	
021	17102018	HAMMER SUPPORT MULTIFORST EXTERNAL	SUPP MULTI X OPT 228 (BASSO) LAVORATO	SCHLAEGELHALTER MULTIFORST EXTERN	SUPPORT MARTEAU MULTIFORST EXTERNE	SOPORTE MARTILLO MULTIFORST EXTERNO	
022	17102001	HAMMER SUPPORT MULTIFORST INTERNAL	SUPPORTO MULTIFORST X OPT 228	SCHLAEGELHALTER MULTIFORST INTERN	SUPPORT MARTEAU MULTIFORST INTERNE	SOPORTE MARTILLO MULTIFORST INTERNO	
027	17602084	CARBIDE HAMMER DUO PROTECT (6 TIPS)	UTENSILE DUO PROTECT	WERKZEUG DUO PROTECT (6 HARTMET.EINS.)	MARTEAU DUO PROTECT (6 PLAQ. TUNGSTENE)	MARTILLO DUO PROTECT (6 PLACAS CARBURO)	
027	18702163	CARBIDE HAMMER MONO PROTECT (5 TIPS)	UTENSILE MONO PROTECT	WERKZEUG MONO PROTECT (5 HARTMET. EINS.)	MARTEAU MONO PROTECT (5 PLAQ. TUNGSTENE)	MARTILLO MONO PROTECT (5 PLAC. CARBURO)	
028	96615525	BOLT TE M16 X 100 X 1,5 10,9 BLACK	VITE TE M16X100 X 1,5 10,9 NERA U5738	SCHRAUBE TE M 16 X 100 X 1,5 10,9 SCHW	VIS TE M16X100 X 1,5 10,9 NOIR	TORNILLO TE M16X100X1,5 10.9 NEGRO U5738	
029	97092171	SPRING WASHER UNI 7064 16,4X32X2,8	ROSETTA EL. CONICA UNI 8836 16,4X32X2,8	KONISCHE FEDERSCHEIB.UNI7064 16,4X32X2,8	RONDELL 7064 16,4X32X2,8	ARANDELA CONICA EL. UNI 7064 16,4X32X2,8	

Pos.	Code	Description	Descrizione	Beschreibung	Description	Descripción	Info
030	18702207	HAMMER MONO EXTREM DX (5+4 CABBIDE TIPS)	UTENSILE MONO EXTREM DX OPT 383	WERKZEUG MONO EXTREM DX (5+4 HARTMETTAL)	MARTEAU MONO EXTREM DX (5+4 PL.TUNGSTENE	MARTILLO MONO EXTREM DX (5+4 PL.CARBURO)	
031	18702208	HAMMER MONO EXTREM SX (5+4 CABBIDE TIPS)	UTENSILE MONO EXTREM SX OPT 383	WERKZEUG MONO EXTREM SX (5+4 HARTMETTAL)	MARTEAU MONO EXTREM SX (5+4 PL.TUNGSTENE	MARTILLO MONO EXTREM SX (5+4 PL.CARBURO)	
032	16902088	INTERCH.HUB+SPACE.KIT TYPE STARSOIL D65	KIT MOZZO INTERC.+DIST.TIPO STARSOIL D65	KIT NABE AUST+VERT.TYP STARSOIL	KIT MOYEU INTERCH+ENTR.TYPE STARSOIL D65	KIT BUJE INTERC+DIST.TIPO STARSOIL D65	
033	17102100	BEAR.SUPP.WITH MULTIFORST FLUE MOD.13	SUPP.CUSC. CON GOLA MULTIFORST MOD.13	LAGERHALT. MIT PASSSTUECK MULTIFORST '13	SUPP.ROUL.AVEC GORGE MULTIFORST MOD.13	SOP.COJ.CON CUELLO MULTIFORST MOD.13	
034	75000182	SELF LOCKING RING NUT M55 X 2	GHIERA AUTOBLOCCANTE M55 X 2	SELBSTFIX.NUTMUTTER M55 X 2	ANNEAU DE FIXATION AUTO- BLOQUANT M55 X 2	VIROLA AUTO BLOQUEADORA M55 X 2	

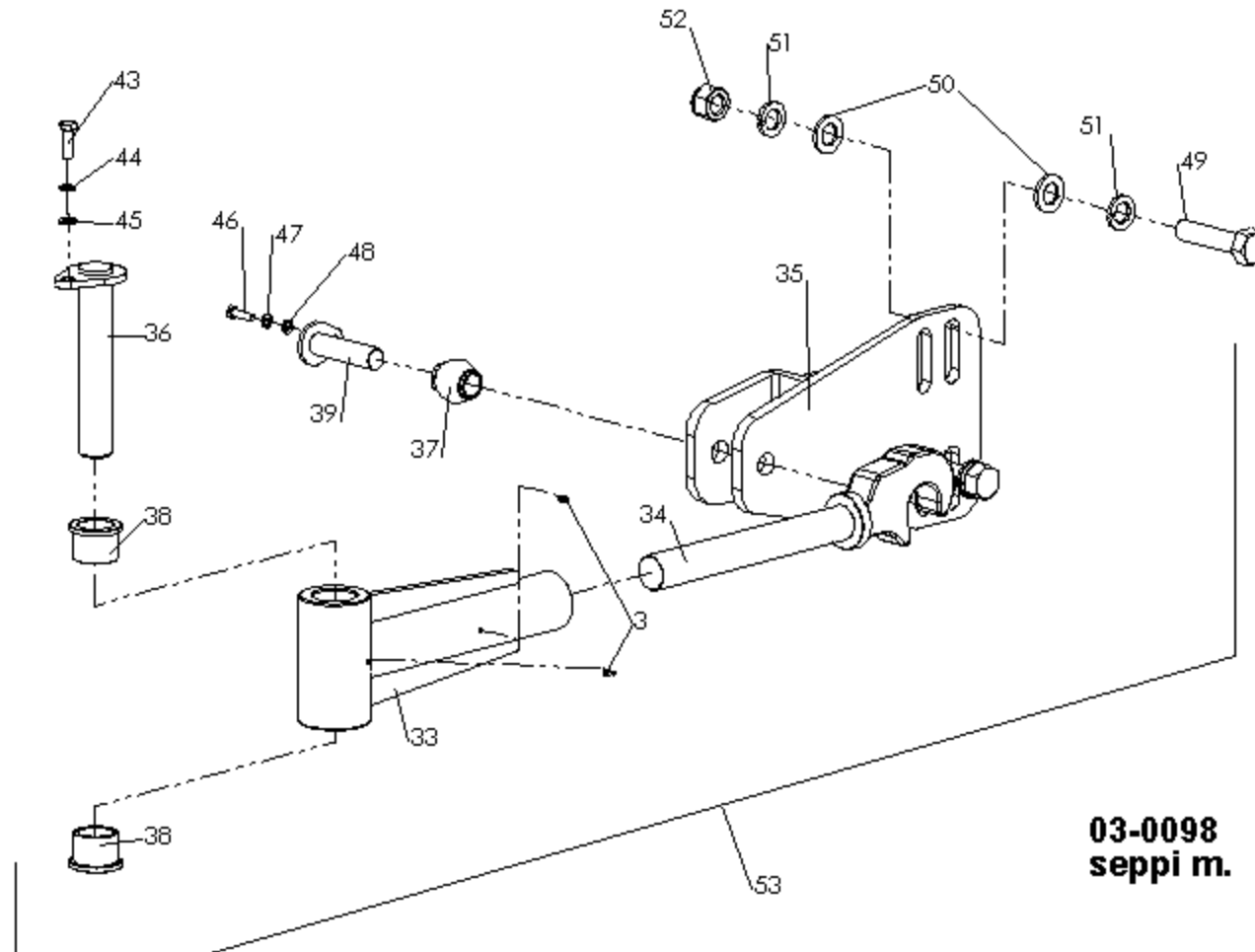
alignment of the PTO shaft

allineamento del cardano

Neigungsanpassung des

alignment du Boitier

alineación del cardàn



03-0098
seppi m.

Pos.	Code	Description	Descrizione	Beschreibung	Description	Descripción	Info
003	97036611	GREASE NIPPLE UNI 7663 AM 6-5.8	INGRASS DIRITTO UNI 7663A M 6X1(5-8CH7	SCHMIERNIPPEL UNI 7663 AM 6X1 (5-8)	GRAISSEUR UNI 7663 AM 6-5.8	LUBRICADOR UNI 7663 AM 6X1 (5-8CH7)	
033	18703055	BOOM X MECH SWINGING SYS MOD 10	BRACCIO X SYS OSCILLANTE MECC MOD 10	ARM FUER SCHWINGSYSTEM MECH. MOD 10	BRAS GAUCHE SYS OSCILLANT MEC MOD 10	BRAZO X SYS OSCILANTE MEC. MOD 10	
034	17203026	INTERNAL BOOM MOD 10	BRACCIO INTERNO MOD 10	ARM INTERN MOD 10	BRAS INTERNE MOD 10	BRAZO INTERNO MOD 10	
035	17703071	MOUNTING INTERFACE MOD 09	INTERFACCIA DI MONTAGGIO MOD 09	SCHNITTSTELLE MONTAGE MOD 09	INTERFACE DE MONTAGE MOD 09	INTERFAZ DE MONTAJE MOD 09	
036	18703062	PIN WITH DRIP D40X209 INT=45 M12	PERNO CON GOCCIA D40X209 INT=45 M12	BOLZEN M.PLATTE D40X209 INT=45 M12	PIVOT AVEC GOUTTE D40X209 INT=45 M12	PERNO DE GOTA D40X209 INT=45 M12	
037	17703076	BALL JOINT 50X51X25,4 IICAT	ROTULA 50X51X25,4 SUP.2CAT	KUGELGELENK 50X51X25,4 2.KAT.	ROTULE 50X51X25,4 IICAT	RÓTULA 50X51X25,4 IICAT	
038	18701149	MACHINED BRONZE BUSHING D40,5XD50 L=40	BOCCOLA BRONZO D40,5 X D50 L=40 LAVOR.	BRONZEBUCHSE D40,5XD50 L=40 BEARBEITET	BAGUE BRONZE D40,5XD50 L=40 USIN.	CASQUILLO BRONCE D40,5XD50 L=40 ELABOR.	
039	14412002	PIN WITH PLATE D 25X 95 INT=28	PERNO CON GOCCIA D25X 95 INT=28 M8	BOLZEN M.PLATTE D 25X 95 INT=28	GOUJON A.PLAQUE D 25X 95 INT=28	PERNO CON PLACA D 25X 95 INT=28	
043	96605721	BOLT TE M 08X030 UNI 5739 8.8 ZN	VITE TE M 8X 30 UNI 5739 8.8 ZN	SCHRAUBE TE M 8 X 30 UNI 5739 8,8 ZN	VIS TE M 08X030 UNI 5739 8.8 ZN	TORNILLO TE M 8X 30 UNI 5739 8.8 ZN	
045	97094911	SMOOTH WASHER UNI 6592 - 08,4X16X1,6 ZN	ROSETTA PIANA 08,4X16X1,6 M 8 ZN UNI6592	GLATTE SCHEIBE UNI 6592 - 8,4X16X1,6 ZN	RONDELL.LISSE UNI 6592 - 08,4X16X1,6 ZN	ARANDELA PLANA UNI 6592-08,4X16X1,6 ZN	
046	96607821	BOLT TE M 10X035 UNI 5739 8.8 ZN	VITE TE M10X 35 UNI 5739 8.8 ZN	SCHRAUBE TE M 10 X 35 UNI 5739 8,8 ZN	VIS TE M 10X035 UNI 5739 8.8 ZN	TORNILLO TE M10X 35 UNI 5739 8.8 ZN	
047	97494931	WASHER ELSP ASA B- 27 - 10,2X18,1X2,2 ZN	RONDELLA DIN 127B ELSP- 10,2X18,1X2,2 Z	SCHEIBE ELSP ASA B-27 - 10,2X18,1X2,2 ZN	RONDELLE ELS ASA B- 27 - 10,2X18,1X2,2 Z	ARANDELA ELSP ASA B-27-10,2X18,1X2,2 ZN	
048	97095111	SMOOTH WASHER UNI 6592 - 10,5X21X2,0 ZN	ROSETTA PIANA 10,5X20X2,0 M10 ZN UNI6592	GLATTE SCHEIBE UNI 6592 - 10,5X21X2 ZN	RONDELL.LISSE UNI 6592 - 10,5X21X2,0 ZN	ARANDELA PLANA UNI 6592-10,5X21X2,0 ZN	
049	96619027	BOLT TE M 20X 70 UNI 5737 8.8 ZN	VITE TE M20X 70 UNI 5737 8.8 ZN	SCHRAUBE TE M 20 X 70 UNI 5737 8,8 ZN	VIS	TORNILLO TE M20X 70 UNI 5737 8.8 ZN	
049	96622421	HEX HEAD SCREW M24X100 UNI 5737 8.8 GV	VITE TE M24X100 UNI 5737 8.8 ZN	SCHRAUBE TE M24X100 UNI 5737 8,8 ZN	VIS TH M24X100 UNI 5737 8.8 ZN	TORNILLO TH M24X100 UNI 5737 8.8 GALV.	
050	97096011	SMOOTH WASHER UNI 6592 - 20X37X3,0 ZN	ROSETTA PIANA 21,0X37X3,0 M20 ZN UNI6592	GLATTE SCHEIBE UNI 6592 - 20X37X3 ZN	RONDELL.LISSE UNI 6592 - 20X37X3,0 ZN	ARANDELA PLANA UNI 6592-20,0X37X3,0 ZN	
051	97495631	WASHER ELSP ASA B- 27 - 24,5X40X5 ZN	RONDELLA DIN 127B ELSP- 24,5X40X5 Z	SCHEIBE ELSP ASA B- 27 - 24,5X40X5 ZN	RONDELLE ELS ASA B- 27 - 24,5X40X5 ZN	ARANDELA ELSP ASA B-27-24,5X40X5 ZN	
052	97156021	SELFBLOCK NUT M20-6S UNI747	DADO AUTOBLOC.ALTO M20 -6S UNI747	SELBSTSICHER.MUTTER M 20-6S UNI7474 HOCH	ECROU AUTOSERR M20-6S UNI747	TUERCA AUTO BLOQ. M20-6S UNI747	
052	97156421	HIGH SELF-LOCKING NUT M24-6S UNI747	DADO AUTOBLOC.ALTO M24 -6S UNI747	SELBSTFIX.MUTTER, HOCH M24-6S UNI747	ÉCROU AUTOBLOQ.ALTO M24-6S UNI747	TUERCA AUTOBLOQ.ALTA M24-6S UNI747	
053	16903071	OPT 138 ADJUSTMENT "ADAM" WITH EXTENSION	OPT 138 REGOLAZ "ADAM" CON PROLUNGA	OPT 138 EINSTELLUNG ADAM+VERLAENG	OPT 138 R?GLAGE ½ ADAM ? AVEC RALLONGE	OPT 138 REGULAC."ADAM" CON PROLONGACIÉN	

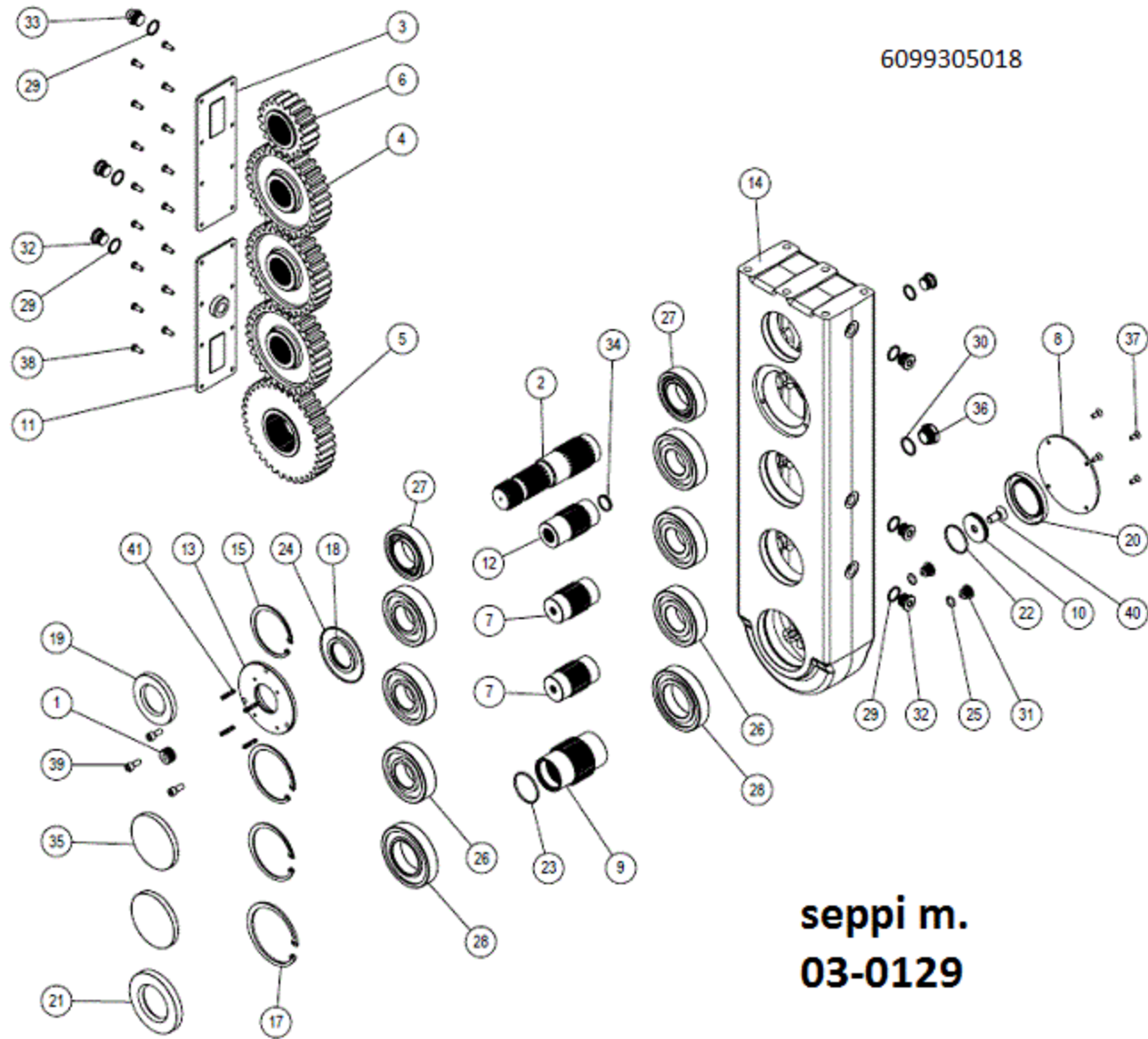
Gearbox

moltiplicatore ad assi paralleli

Seitliches Stirnradgetriebe

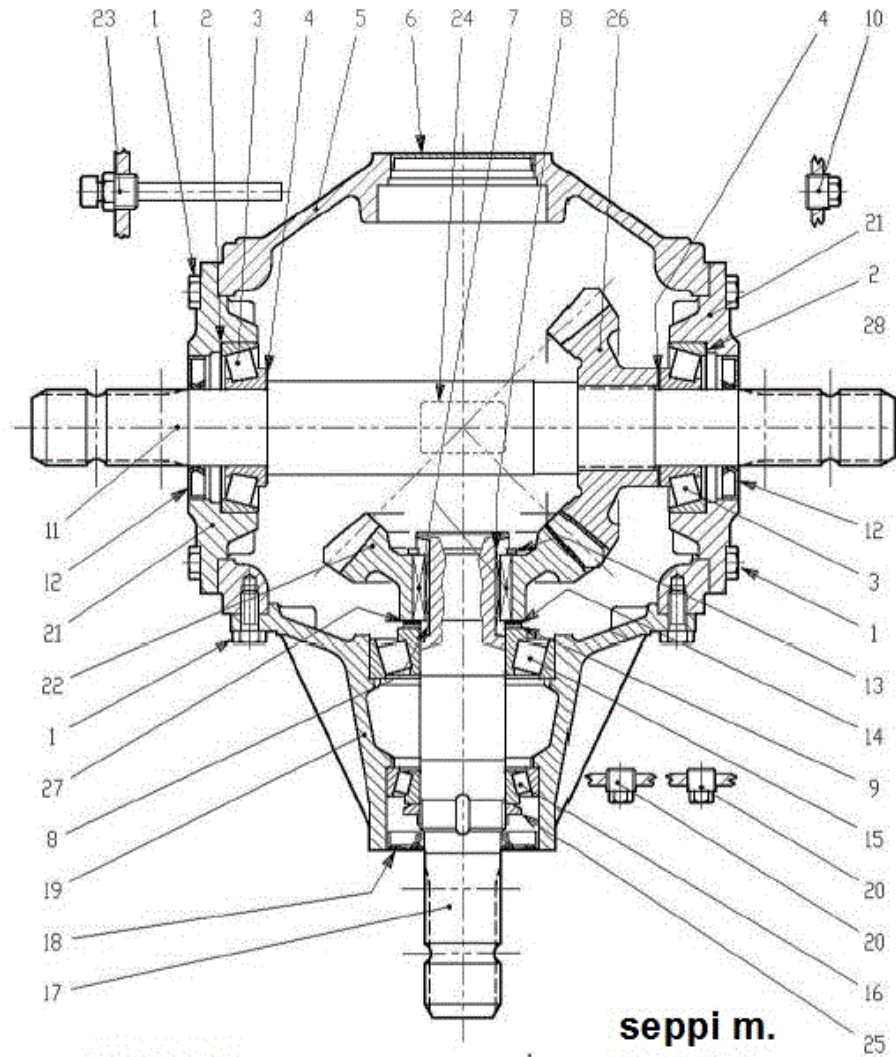
Boitier with parallel gears

Caja de cambio



Pos.	Code	Description	Descrizione	Beschreibung	Description	Descripción	Info
001	48403413	TOOTHED HALF-JOINT	SEMIGIUNTO DENTATO (2002001042)	KUPPLUNGSHAELFTE GEZAHNT 2002001042	DEMI-JOINT DENTÉ 2002001042	SEMI-JUNTA DENTADA 2002001042	
002	48403414	OUTLET SHAFT (2005134542)	ALBERO USCITA (2005134542)	BUCHSE AUSGANG (2005134542)	ARBRE SORTIE (2005134542)	EJE DE SALIDA (2005134542)	
003	48403415	COVER (2016002261)	COPERCHIO (2016002261)	DECKEL (2016002261)	COUVERCLE (2016002261)	CUBIERTA (2016002261)	
004	48403416	GEAR Z31 (2018027442)	INGRANAGGIO Z31 (2018027442)	ZAHNGETRIEBE Z31 (2018027442)	ENGRENAGE Z31 (2018027442)	ENGRANAJE Z31 (2018027442)	
005	48403417	GEAR Z35 (2099021426)	INGRANAGGIO Z35 (2099021426)	ZAHNGETRIEBE Z35 (2099021426)	ENGRENAGE Z35 (2099021426)	ENGRANAJE Z35 (2099021426)	
006	48403418	GEAR Z19 (2099022442)	INGRANAGGIO Z19 (2099022442)	ZAHNGETRIEBE Z19 (2099022442)	ENGRENAGE Z19 (2099022442)	ENGRANAJE Z19 (2099022442)	
007	48403419	INTERMEDIATE HUB (2099023542)	MOZZO INTERMEDIO (2099023542)	MITTLERE NABE (2099023542)	MOYEU INTERM?DIAIRE (2099023542)	BUJE INTERMEDIO (2099023542)	
008	48403420	COVER (2099024241)	COPERCHIETTO ATT. POMPA SAE A 2099024241	ABDECKUNG (2099024241)	COUVERCLE (2099024241)	CUBIERTA (2099024241)	
009	48403421	OUTLET BUSHING (2099025542)	BOCCOLA USCITA (2099025542)	BUCHSE AUSGANG (2099025542)	BAGUE SORTIE (2099025542)	CASQUILLO DE SALIDA (2099025542)	
010	48403422	OUTPUT SHAFT FIXING WASHER	RONDELLA FISSAGGIO ALBERO USCITA	B.SCHEIBE AUSG.WELLE	RONDELLE FIXATION ARBRE SORTIE	ARANDELA DE FIJACIÓN EJE SALIDA	
011	48403423	COVER UNIT WITH HOLE 1/2"GAS	ASSIEME COPERCHIO CON FORO 1/2"GAS	EINHEIT DECKEL MIT BOHRUNG 1/2"GAS	ENSEMBLE COUVERCLE AVEC TROU 1/2"GAZ	CONJUNTO CUBIERTA CON ORIFICIO 1/2"GAS	
012	48403424	PUMP LINKAGE SHAFT (2099029542)	ALBERO ATTACCO POMPA (2099029542)	WELLE ANBAU PUMPE (2099029542)	ARBRE RACCORD POMPE (2099029542)	EJE ENGANCHE PARA BOMBA (2099029542)	
013	48403425	PUMP LINKAGE COVER (2099030241)	COPERCHIETTO ATTACCO POMPA (2099030241)	DECKEL ANBAU PUMPE (2099030241)	COUVERCLE RACCORD POMPE (2099030241)	CUBIERTA ENGANCHE BOMBA (2099030241)	
014	48403426	BOX FOR PUMP (8025627000)	SCATOLA PER POMPA (8025627000)	KASTEN FUER PUMPE (8025627000)	BO?TIER POUR POMPE (8025627000)	CAJA PARA BOMBA (8025627000)	
015	96869676	CIRCLIP .FOR SHAFTS 90X3	ANELLO EL. PER ALBERI 90X3	RING EL. FUER WELLEN 90X3	ANNEAU ?L. POUR ARBRES 90X3	ANILLO EL. PARA EJES 90X3	
016	96869876	EL.RING F.SHAFTS 100X3	ANELLO EL. PER ALBERI 100X3	WELLENSPANNRING 100X3	BAGUE ARRET P.ARBRES 100X3	RETEN EL.P.EJES 100X3	
017	96870076	CIRCLIP FOR SHAFTS 110X4	ANELLO EL. PER ALBERI 110X4	EL. RING FUER WELLEN 110X4	ANNEAU EL. POUR ARBRES 110X4	ANILLO EL. PARA EJES 110X4	
018	48403427	OIL SEAL 45 X 62 X7	ANELLO DI TENUTA 45 X 62 X7	DICHTUNGSRING 445 X 62 X7	ANNEAU D'?TANCH?IT? 45 X 62 X7	RET?N 45 X 62 X7	
019	16903148	OIL SEAL 50 X 90 X10 VITON	ANELLO DI TENUTA 50 X 90 X10 VITON	DICHTUNGSRING 50 X 90 X10 VITON	ANNEAU D'?TANCH?IT? 50 X 90 X 10 VITON	ANILLO DE ESTANQUEIDAD 50 X 90 X10 VITON	
020	16903149	OIL SEAL 60 X 90 X10 VITON	ANELLO DI TENUTA 60 X 90 X10 VITON	DICHTUNGSRING 60 X 90 X10 VITON	ANNEAU D'?TANCH?IT? 60 X 90 X 10 VITON	ANILLO DE ESTANQUEIDAD 60 X 90 X10 VITON	
021	16903045	OIL SEAL 60 X110 X13 VITON	ANELLO DI TENUTA 60 X110 X13 VITON	DICHTUNGSRING 60 X110 X13 VITON	ANNEAU D'?TANCH?IT? 60 X110 X13 VITON	ANILLO DE ESTANQUEIDAD 60 X110 X13 VITON	
022	97283680	OIL SEAL OR 133/3181 45,69X2,62	ANELLO O-RING OR 133/3181 45,69X2,62	O-DICHTUNGSRING 133/3181 45,69 X 2,62	BAGUE ETACH OR. 133/3181 45,69X2,62	RETEN 133/3181 45,69X2,62	
023	48403428	O-RING OR 3200 50,47X2,62	ANELLO O-RING OR 3200 50,47X2,62	DICHTUNGSRING OR 3200 50,47X2,62	ANNEAU O-RING OR 3200 50,47X2,62	ANILLO O-RING OR 3200 50,47X2,62	
024	48403429	O-RING OR 154/3375 94,93X2,62	ANELLO O-RING OR 154/3375 94,93X2,62	DICHTUNGSRING OR 154/3375 94,93X2,62	ANNEAU O-RING OR 154/3375 94,93X2,62	ANILLO O-RING OR 154/3375 94,93X2,62	
025	48403430	O-RING OR 3X13X19 COD TED.10400	ANELLO O-RING OR 3X13X19 COD TED.10400	O-RING 3X13X19 COD TED.10400	ANNEAU O-RING 3X13X19 CODE TED.10400	JUNTA TÉRICA OR 3X13X19 CÈD TED.10400	
026	48403446	BEARING NJ 309 EC 45X100X25 CYL.ROLL	CUSCINETTO NJ 309 EC 45X100X25 RUL.CIL	LAGER NJ 309 EC 45X100X25 WALZE. ZYL.	ROULEMENT NJ 309 EC 45X100X25 ROUL.CYL	COJINETE NJ 309 EC 45X100X25 ROD. CIL.	
027	48403447	BEARING NJ2210 EC 50X 90X23 CYL.ROLL	CUSCINETTO NJ2210 EC 50X 90X23 RUL.CIL	LAGER NJ2210 EC 50X 90X23 WALZE.ZYL.	ROULEMENT NJ2210 EC 50X 90X23 ROUL.CYL	COJINETE NJ2210 EC 50X 90X23 ROD.CIL.	
028	18903103	BEARING NJ 212 EC 60X110X22 CYL.ROLL	CUSCINETTO NJ 212 EC 60X110X22 RUL.CIL	LAGER NJ 212 EC 60X110X22 WALZE .ZYL.	ROULEMENT NJ 212 EC 60X110X22 ROUL.CYL	COJINETE NJ 212 EC 60X110X22 ROD.CIL.	
029	48403431	COPPER WASHER 21,5X26,8X1,5	RONDELLA RAME 21,5X26,8X1,5	B.SCHEIBE KUPFER 21,5X26,8X1,5	RONDELLE CUIVRE 21,5X26,8X1,5	ARANDELA DE COBRE 21,5X26,8X1,5	
030	48403432	COPPER WASHER 3/4" G 26,5X32X1,5	RONDELLA RAME 3/4" G 26,5X32X1,5	B.SCHEIBE KUPFER 3/4" G 26,5X32X1,5	RONDELLE CUIVRE 3/4" G 26,5X32X1,5	ARANDELA COBRE 3/4" G 26,5X32X1,5	

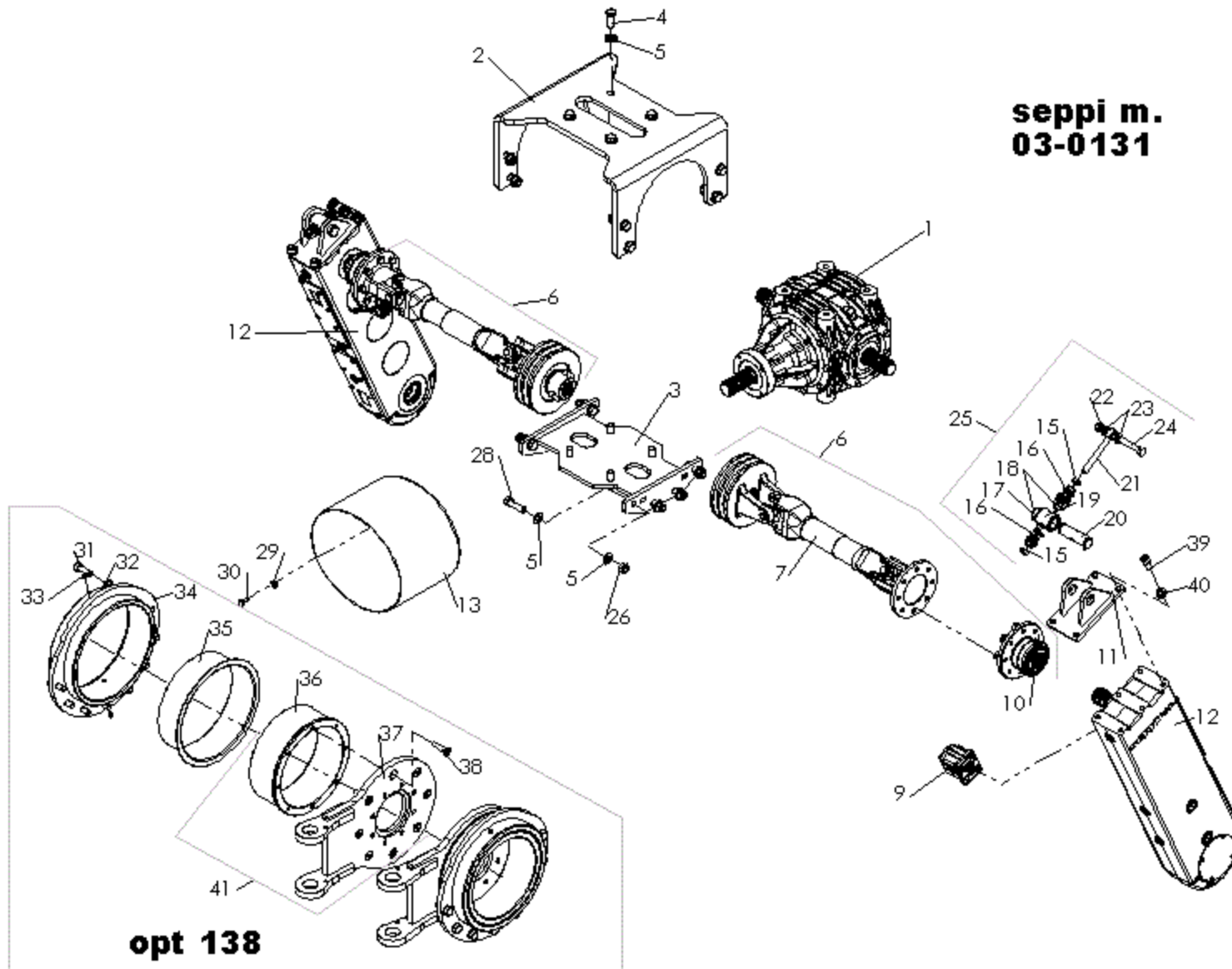
Pos.	Code	Description	Descrizione	Beschreibung	Description	Descripción	Info
031	10612120	MALE HEX.SOCK.CAP 3/8"	TAPPO MASCHIO ESAG. INC. 3/8"	PROPFEN AUSSENGEW+SECHSKANT.I NC.3/8"	BOUCHON M?LE HEXAG.ENC.3/8"	TAPÉN MACHO HEXAG.INC.3/8"	
032	48403433	MALE HEX.SOCK.CAP 1/2"	TAPPO MASCHIO ESAG. INC. 1/2"	PROPFEN AUSSENGEWINDE+SECHSKANT.	BOUCHON M?LE HEXAG.ENC.1/2"	TAPÉN MACHO HEXAG.INC.1/2"	
033	48403264	CAP 1/2"GAS (0.707.7102.00)	TAPPO SFIATO 1/2"GAS SP 0.707.7102.00	ENTLUEFTUNGSPFROPFEN 1/2" GAS	BOUCHON 1/2"GAS (0.707.7102.00)	TAPON CON RESP. 1/2"GAS (0.707.7102.00)	
034	48403434	CAP RCA 28X4 (8600300000)	TAPPO RCA 28X4 (8600300000)	VERSCHLUSS RCA 28X4 (8600300000)	BOUCHON RCA 28X4 (8600300000)	TAPÉN RCA 28X4 (8600300000)	
035	48403435	RUBBER CAP RCA 100X10 (8600870000)	TAPPO GOMMA RCA 100X10 (8600870000)	VERSCHLUSS GUMMI RCA 100X10 (8600870000)	BOUCHON CAOUTCH. RCA 100X10 (8600870000)	TAPÉN DE GOMA RCA 100X10 (8600870000)	
036	48003003	OIL LEVEL CAP 3/4" GAS A.P.HT	TAPPO LIVELLO OLIO 3/4" GAS A.P. HT	PFROPFEN OELFUELLSTAND 3/4" GAS A.P.HT	BOUCHON NIVEAU HUILE 3/4" GAZ A.P.HT	TAPÓN DE NIVEL DEL ACEITE 3/4" GAS A.P.H	
037	97343521	FLAT SOCKET HEAD CAP SCREW M 6X 16 UNI 5	VITE TSEI M 6X 16 UNI 5933 10.9 ZN	SCHRAUBE TSEI M 6X 16 UNI 5933 10.9 ZN	VIS TSEI M 6X 16 UNI 5933 10.9 ZN	TORN.ALLEN AVELL M 6X 16 UNI 5933 10.9 G	
038	96603621	BOLT TE M 06X016 UNI 5739 8.8 ZN	VITE TE M 6X 16 UNI 5739 8.8 ZN	SCHRAUBE TE M6 X 16 UNI 5739 8,8 ZN	VIS TE M 06X016 UNI 5739 8.8 ZN	TORNILLO TE M 6X 16 UNI 5739 8.8 ZN	
039	96690523	BOLT TCEI M 08X020 UNI 5931 8.8 BLACK	VITE TCEI M 8X 20 UNI 5931 8.8 NERA	SCHRAUBE TCEI M 8x20 UNI 5931 8,8 SCHW.	VIS TCEI M 08X020 UNI 5931 8.8 NOIRE	TORNILLO TCEI M 8X 20 UNI 5931 8.8 NEGRO	
040	97345927	BOLT TSEI M 12X030 UNI 5933 8.8 BLACK	VITE TSEI M12X 30 UNI 5933 10.9 NERA	SCHRAUBE TSEI M 12x30 UNI 5933 8,8 SCHW	VIS TSEI M 12X030 UNI 5933 8.8 NOIRE	TORNILLO TSEI M12X 30 UNI 5933 8.8 NEGRO	
041	48403436	STUD BOLT M6X20 UNI 5911	PRIGIONIERO M6X20 UNI 5911	STIFTSCHRAUBE M6X20 UNI 5911	GOUJON PRISONNIER M6X20 UNI 5911	PRISIONERO ALLEN M6X20 UNI 5911	



9.301.346.00

**seppi m.
03-0130**

Pos.	Code	Description	Descrizione	Beschreibung	Description	Descripción	Info
001	96607621	BOLT TE M 10X025 UNI 5739 8.8 ZN	VITE TE M10X 25 UNI 5739 8.8 ZN	SCHRAUBE TE M 10 X 25 UNI 5739 8,8 ZN	VIS TE M 10X025 UNI 5739 8.8 ZN	TORNILLO TE M10X 25 UNI 5739 8.8 ZN	
002	48403362	ADJ.SHIM 85,3X99,7 (0.703.7500.00)	SPESSORE REG.85,3X99,7 (0.703.7500.00)	STAERKE REG.85,3X99,7 (0.703.7500.00)	ÉPAISSEUR REG.85,3X99,7 (0.703.7500.00)	ESPESOR REG.85,3X99,7 (0.703.7500.00)	
003	48030918	support 30309 PER T301.B (8.0.9.01166)	CUSCINETTO 30309 45X100X27,25 RUL.CON	KON. ROLLENLAGER 30309 45X100X27,25	ROULEMENT 30309 PER T301.B(8.0.9.01166)	RODAM. 30309 45X100X27,25 ROD. CONICOS	
003	48403363	ADJ.SHIM 45,3X65,3 (0.252.7500.00)	SPESSORE REG.45,3X65,3 (0.252.7500.00)	STAERKE REG.45,3X65,3 (0.252.7500.00)	ÉPAISSEUR REG.45,3X65,3 (0.252.7500.00)	ESPESOR REG.45,3X65,3 (0.252.7500.00)	
005	48030922	GEARBOX FOR T 301B (0.301.0302.00)	SCATOLA SFOND.PER T301B (0.301.0302.00)	GETR. GEHAEUSE F. T301B (0.301.0302.00)	BOITIER POUR T 301B (0.301.0302.00)	CAJA SIN FONDO X T301B (0.301.0302.00)	
006	48030674	CAP 85X10 (0.121.7101.00)	CAPPELLOTTO DI CHIUS. 85X10(0.121.7101.0	VERSCHLUSSKAPPE 85X10 (0.121.7101.00)	CAPUCHON 85X10 (0.121.7101.00)	SOMBRERETE DE CIERRE 85X10(0.121.7101.0	
007	48030961	FEATHER F.F.W. (0.269.7119.00)	LINGUETTA X RL (0.269.7119.00)	PASSFEDER F. FREILAUF (0.269.7119.00)	LANGUETT.P.R.L. (0.269.7119.00)	LENGÜETA PARA RUEDA LIBRE (0269711900)	
008	48030960	SPRING F.FREE WH. (0.269.7120.00)	MOLLA A LAMINA RL (0.269.7120.00)	FEDER F. FREILAUF (0.269.7120.00)	RESSORT P.R.L. (0.269.7120.00)	MUELLE PLANO P/RUEDA LIBRE (0269712000)	
009	48403292	SPACER 50,3X70X2,5	DISTANZIALE D50,3 X D70 L=2,5	DISTANZBUECHSE 50,3X70X2,5	ENTRETOISE 50,3X70X2,5	RETEN 50,3X70X2,5	
010	48403232	CAP EXT.HEX. 1/2"GAS (8.6.5.00203)	TAPPO CON.ESAG.EST.1/2"GAS (8.6.5.00203)	PFROPFEN AUSS. SECHSKANT 1/2"GAS	BOUCHON HEX.EXT. 1/2"GAS (8.6.5.00203)	TAPON CON.EXAGONO.EST.1/2"GAS (86500203)	
011	48030621	CROSS.SHAFT 1"3/4 Z20	ALBERO PASS.1"3/4Z20 (0.301.3001.00)	DURCHTRIEBSWELLE 1"3/4Z20(0.301.3001.00)	ARBRE PASSANT 3/4 Z 20	EJE PASANTE 1"3/4 Z20 (0.301.3001.00)	
012	48030492	OIL SEAL 45 X 85 X10	ANELLO DI TENUTA 45 X 85 X10	DICHTUNGSRING 45 X 85 X10	BAGUE ETACH. 45 X 85 X10	RETEN 45 X 85 X10	
013	48030791	SAF.RING F.SHAFT 55 H=3 (8.5.1.00928)	ANELLO EL. PER ALBERI 55X3 (8.5.1.00928)	WELLENSPANNRING 55 H=3 (8.5.1.00928)	BAGUE SEC.P.ARBRE 55 H=3 (8.5.1.00928)	RETEN SEG.P.EJE 55 H=3 (8.5.1.00928)	
014	48030908	SPACER REG.50.3X70.3 (0.712.7500.00)	SPESSORE REG.50.3X70.3 (0.712.7500.00)	DISTANZSCHEIBE 50,3 X 70,3	EPAISSEUR REG.50.3X70.3 (0.712.7500.00)	COJINETE REG.50.3X70.3 (0.712.7500.00)	
015	48403443	BEARING 32310 50X110X29.25 ROLL.WITH	CUSCINETTO 32310 50X110X29,25 RUL.CON	LAGER 32310 50X110X29,25 KEGELWALZE .	ROULEMENT 32310 50X110X29,25 ROUL.AVEC	COJINETE 32310 50X110X29,25 ROD.CON	
016	48030932	support 30210 50X 90X21,75	CUSCINETTO 30210 50X 90X21,75 RUL.CON	KON. ROLLENLAGER 30210 50X90X21,75	ROULEMENT 30210 A GAL.50X 90X21,75	RODAM. 30210 50X90X21,75 ROD. CONICOS	
017	48403441	SHAFT R L 1" 3/4 Z=20 0.301.2007.00	ALBERO R L 1" 3/4 Z=20 0.301.2007.00	WELLE R L 1" 3/4 Z=20 0.301.2007.00	ARBRE R L 1" 3/4 Z=20 0.301.2007.00	EJE R L 1" 3/4 Z=20 0.301.2007.00	
018	48030916	OIL SEAL L.P. 45X90X10 (8.7.3.01059)	ANELLO DI TEN.LAB/P 45X90X10(8.7.3.01059	DICHTUNGSRING LAB/P45X90X10(8.7.3.01059	BAGUE ETACH.L.P. 45X90X10 (8.7.3.01059)	RETEN 45X90X10(8.7.3.01059)	
019	48403442	"FREE WHEEL" EXT (2.301.1315.00)	PROL "RUOTA LIBERA" (2.301.1315.00)	VERL. FUER "FREILAUF" (2.301.1315.00)	RALL. ½ ROUE LIBRE ? (2.301.1315.00)	PROLONG. "RUEDA LIBRE" (2.301.1315.00)	
020	48030246	CAP EXT.HEX. 3/8 NPT (8.6.5.00006)	TAPPO ESAG.EST.13 3/8 NPT (8.6.5.00006)	PFROPFEN EXT.13 3/8 NPT (8.6.5.00006)	BOUCHON HEX.EXT. 3/8 NPT (8.6.5.00006)	TAPON EXAGONO.EST.13 3/8 NPT (86500006)	
021	48030921	COVER FOR 301B (0.301.1302.00)	COPERCHIO (0.301.1302.00) T -301B	DECKEL F. T- 301B (0.301.1302.00)	COUVERCLE 301B (0.301.1302.00)	TAPA X T301B (0.301.1302.00)	
022	48403286	TAPER CROWNWH.Z20 M7,8 RL(0.301.5015.00)	CORONA CONICA RL Z20 M7,8 (0.301.5015.00)	TELLERRAD Z=20 M7,8 (0.301.5015.00) FL	COUR.CONIQUE Z20 M7,8 RL (0.301.5015.00)	CORONA CONICA RL Z20 M7,8 (0301501500)	
023	48403231	CAP SFIA.ANTICOND.1/2"GAS (8.6.7.00269)	TAPPO SFIA.ANTICOND.1/2"GAS (8.6.7.00269)	ENTLUEFTUNGSPROPFEN 1/2"GAS	BOUCHON SFIA.ANTICOND	TAPON SFIA.ANTICOND.1/2"GAS (8.6.7.00269)	
025	48030794	SETTING NUT M 50X1,5 (0.781.7102.00)	DADO DI REGISTRAZ.M50X1,5 (0.781.7102.00)	EINSTELLMUTTER M 50X1,5 (0.781.7102.00)	ECROU D.REG.L.M 50X1,5 (0.781.7102.00)	TUERCA DE REGULACION M 50X1,5 0781710200	
026	48030919	PINION Z20 M7,8 (0.301.5003.00)	INGRAN.CONICO Z20 M7,8 (0.301.5003.00)	KEGELRADGETRIEBE Z20 M7,8 (0.301.5003.)	INGRAN.CONICO Z20 M7,8 (0.301.5003.00)	INGRAN.CONICO Z20 M7,8 (0.301.5003.00)	
027	48030875	SPACER REG.50,3X70X2,5 (0.301.7104.00)	SPESSORE REG.50,3X70X2,5 (0.301.7104.00)	DISTANZSCHEIBE 50,3 X 70 X 2,5	EPAISSEUR REG.50,3X70X2,5 (0.301.7104.00)	COJINETE REG.50,3X70X2,5 (0.301.7104.00)	
027	48030958	SPACER 50,3X70,3X1,0 (0.712.7510.00)	SPESSORE REG.50,3X70,3X1,0 (0.712.7510.00)	DISTANZSCHEIBE 50,3 X 70,3 X 1,0	EPAISSEUR 50,3X70,3X1,0 (0.712.7510.00)	COJINETE REG.50,3X70,3X1,0 (0.712.7510.00)	



Pos.	Code	Description	Descrizione	Beschreibung	Description	Descripción	Info
001	16903072	GEARBOX T301B RL AP 1:1 (9.301.346.00)	SCAT.ING T301B RL AP 1:1 (9.301.346.00)	GETRIEBE T301B RL AP 1:1 (9.301.346.00)	BOIT.ENGR T301B RL AP 1:1 (9.301.346.00)	CAJA ENGR T301B RL AP 1:1 (9.301.346.00)	
002	17103082	GEARBOX SAFETY PLATE	PIASTRA SICUREZZA X MOLTIPLICATORE	SICHERHEITSPLATTE FUER GETRIEBE	PLAQUE DE SECURITE POUR MULTIPLICATEUR	PLACA DE SEGURIDAD X MULTIPLICADOR	
003	17103080	CPL GEARBOX SUPPORT	SUPPORTO CPL MOLTIPLICATORE	KPL. HALTER. GETRIEBE	SUPPORT CPL MULTIPLICATEUR	SOPORTE CPL MULTIPLICADOR	
004	96634523	BOLT TE M16X 40 UNI 5739 10.9 ZN	VITE TE M16X 40 UNI 5739 10.9 ZN	SCHRAUBE TE M 16 X 40 UNI 5739 10,9 ZN	VIS TE M16X 40 UNI 5739 10.9 ZN	TORNILLO TE M16X 40 UNI 5739 10.9 ZN	
005	97092171	SPRING WASHER UNI 7064 16,4X32X2,8	ROSETTA EL. CONICA UNI 8836 16,4X32X2,8	KONISCHE FEDERSCHEIB.UNI7064 16,4X32X2,8	RONDELL 7064 16,4X32X2,8	ARANDELA CONICA EL. UNI 7064 16,4X32X2,8	
006	16903041	PTO SHAFT V90 1"3/4Z20CLUTCH.175 SEMP	CARD V90 1"3/4Z20-1"3/4Z20 FRIZ.175 SEMP	KARDANW.1"3/4Z20 KUPPLUNG.175 SEMP	CARD V90 1"3/4Z20-1"3/4Z20 EMBR.175 TOUJ	CARD V90 1"3/4Z20 FRICC.175 SEMP	
006	16903042	PTO SHAFT V90 1"3/4Z20 CLUTCH.200 SEMP	CARD V90 1"3/4Z20-1"3/4Z20 FRIZ.200 SEMP	KARDANW.V90 1"3/4Z20-1"3/4Z20 KUPPL.200	CARD V90 1"3/4Z20-1"3/4Z20 EMBR.200 TOUJ	CARD V90 1"3/4Z20-1"3/4Z20 FRICC.200SIMP	
006	16903043	PTO SHAFT V90 1"3/4Z20 CLUTCH.225 SEMP	CARD V90 1"3/4Z20-1"3/4Z20 FRIZ.225 SEMP	KARDANW.V90 1"3/4Z20 KUPPL.225 SEMP	CARD V90 1"3/4Z20-1"3/4Z20 EMBR.225 TOUJ	CARD V90 1"3/4Z20-1"3/4Z20 FRICC.225SEMP	
006	16903044	PTO SHAFT V90 1"3/4Z20-1"3/4Z20 CLUTCH 2	CARD V90 1"3/4Z20-1"3/4Z20 FRIZ.250 SEMP	KARDANW.V90 1"3/4Z20-1"3/4Z20 KUPPL.250	CARD V90 1"3/4Z20-1"3/4Z20 EMBR.250 TOUJ	CARD V90 1"3/4Z20-1"3/4Z20 FRICC.250 SEM	
007	16903009	PTO SHAFT V90 1"3/4 Z20-FGL CLUT.EXT.250	CARD V90 1"3/4 Z20 - FGL FRIZ.PROL.250	KARDANW.V90 1"3/4 Z20-FGL KUPPL.VERL.250	CARD V90 1"3/4 Z20-FGL EMBR.RALL.250	CARD V90 1"3/4 Z20-FGL FRICC.PROL.250	
008	16903056	SPACER 50X199X27,5	DISTANZIALE 50X199X27,5	DISTANZST.50 X199X27,5	ENTRETOISE 50X199X27,5	DISTANCIADOR 50X199X27,5	
009	16903046	GEAR PUMP V=7.87CC	POMPA A INGRANAGGI V=7,87CC	ZAHNGETRIEBEPUMPE V=7,87CC	POMPE ? ENGRENAGES V=7,87CC	BOMBA DE ENGRANAJES V=7,87CC	
010	18903013	FLANGE COMER 1 3/4" Z=20 141.027.280	FLANGIA COLLAR C15F 1"3/4 Z 20	FLANSCH COMER 1 3/4" Z=20 141.027.280	FLASQUE COMER 1 3/4" Z=20 141.027.280	BRIDA COMER 1 3/4" Z=20 141.027.280 .	
012	18603212	PAR.AXLES GEARBOX R=1.84:1 PUMP LINKAGE	SCAT. ING. ASSI PAR. R=1.84:1 ATT. POMPA	GETR.M.PARALLELACHSEN R= 1.84:1 ANBAU PU	BOIT.ENGR A AXES PAR.R=1.84:1 RACC.POMP	CAJA ENGRAN.CON EJES PAR.R= 1.84:1 ACTN.	
013	17110124	SHAFT CONE 32/401XGEARBOX 301B	CONTROCUFFIA OVALE 32/401 X MOLT 301B	OVALE SCHUTZKAPPE 32/401 F.GETRIEBE 301B	CAPOT DE PROT.OVALE 32/401 P.MULT 301B	CAPERUZA OVAL 32/401XMULT 301B	
013	18910067	MACHINED SHAFT CONE X SUPERFORST	CONTROCUFFIA LAVORATA X SUPERFORST	GEDREHTE SCHUTZKAPPE FUER SUPERFORST	CAPOT DE PROT.USINE P.SUPERFORST	CAPERUZA LABRADA X SUPERFORST	
014	96610425	BOLT TE M12X55X1.25 UNI 5739 10.9 N	VITE TE M12X 55X 1,25 UNI 5739 10.9 N	SCHRAUBE TE M12X55X1,25 UNI 5739 10.9 N	VIS TH M12X55X1,25 UNI 5739 10.9 N	TORNILLO TH M12X55X1,25 UNI 5739 10.9 N	
015	96980471	NUT M 16-6S UNI5589 H=08	DADO M16-6S UNI5589 BASSO H=08 ZN	MUTTER M 16-6S UNI5589 H=08 NIEDER	ECR.M 16-6S UNI5589 H=08	TUERCA M 16-6S UNI5589 BAJA H=08 GALV.	
016	16903038	DISK SPRING 31.5X16.3X1.25 DIN 2093 B	MOLLA A TAZZA 31,5X16,3X1,25 DIN 2093 B	TELLERFEDER 31,5X16,3X1,25 DIN 2093 B	RONDELLE SPH?RIQUE 31,5X16,3X1,25	MUELLE PLATILLO 31,5X16,3X1,25 DIN	
017	96866876	EL.RING F.SHAFTS 30X1,5	ANELLO EL. PER ALBERI 30X1,5	WELLENSPANNRING 30X1,5	BAGUE ARRET P.ARBRES 30X1,5	RETEN EL.P.EJES 30X1,5	
018	16903036	COUNTERSUNK WASHER 45? M16	RONDELLA SVASATA 45° M16	SENKSCHEIBE 45? M16	RONDELLE ?VAS?E 45? M16	ARANDELA AVELL. 45? M16	
019	16903039	BUSHING D28.3X48.3 50 PERFORATED COUNT.	BOCCOLA D28,3 X 48,3 L=50 FORATA SVAS.	BUCHSE D28,3X48,3 50 +SENKBOHRUNG.	BAGUE D28,3X48,3 50 FOR? E ?VAS.	CASQUILLO D28,3X48,3 50 PERFORADO AVELL.	
021	97516110	TIE ROD M16 X 130	TIRANTE AD OCCHIO M16 X 130	ZUGSTAB M16 X 130	TIRANT ? IIL M16 X 130	TIRANTE CON OJAL M16 X 130	
022	97972321	LOW.SELFBLOCK.NUT M 14-6S UNI7474	DADO AUTOBLOC.BASSO M14-6S UNI7474	SELBSTSICHER.MUTTER M14 -6S UNI7474 NIED.	ECROU AUTOSERR.M 14-6S UNI7474	TUERCA AUTO BLOQ. BAJA M 14-6S UNI7474	
023	97095511	SMOOTH WASHER UNI 6592 -14X28X2,5 ZN	ROSETTA PIANA 15,0X28X2,5 M14 ZN UNI6592	GLATTE SCHEIBE UNI 6592 -14X28X2,5 ZN	RONDELL.LISSE UNI 6592 -14X28X2,5 ZN	ARANDELA PLANA UNI 6592-14,0X28X2,5 ZN	
024	96619423	HEX HEAD SCREW M14X 80 UNI 5739 10.9 GV	VITE TE M14X 80 UNI 5739 10.9 ZN	SCHRAUBE TE M14X 80 UNI 5739 10.9 ZN	VIS TH M14X 80 UNI 5739 10.9 ZN	TORNILLO TH M14X 80 UNI 5739 10.9 GALV.	
025	16903063	GEARBOX TIE ROD UN.	GR. TIRANTE SCATOLA INGRANAGGI	GR.. ZUGSTANGE ZAHNGETRIEBEKASTEN	GR. TIRANT BO?TIER ENGRENAGES	GR. TIRANTE CAJA ENGRANAJES	
026	97972521	LOW.SELFBLOCK.NUT M 16-6S UNI7474	DADO AUTOBLOC.BASSO M16-6S UNI7474	SELBSTSICHER.MUTTER M16 -6S UNI7474 NIED.	ECROU AUTOSERR.M 16-6S UNI7474	TUERCA AUTO BLOQ. BAJA M 16-6S UNI7474	
028	96619323	BOLT TE M16X 55 UNI 5737 10.9 ZN	VITE TE M16X 55 UNI 5737 10.9 ZN	SCHRAUBE TE M 16 X 55 UNI 5737 10,9 ZN	VIS TE M16X 55 UNI 5737 10.9 ZN	TORNILLO TE M16X 55 UNI 5737 10.9 ZN	

Pos.	Code	Description	Descrizione	Beschreibung	Description	Descripción	Info
029	97095111	SMOOTH WASHER UNI 6592 - 10,5X21X2,0 ZN	ROSETTA PIANA 10,5X20X2,0 M10 ZN UNI6592	GLATTE SCHEIBE UNI 6592 - 10,5X21X2 ZN	RONDELL.LISSE UNI 6592 - 10,5X21X2,0 ZN	ARANDELA PLANA UNI 6592-10,5X21X2,0 ZN	
030	96607721	BOLT TE M 10X030 UNI 5739 8.8 ZN	VITE TE M10X 30 UNI 5739 8.8 ZN	SCHRAUBE TE M 10 X 30 UNI 5739 8.8 ZN	VIS TE M 10X030 UNI 5739 8.8 ZN	TORNILLO TE M10X 30 UNI 5739 8.8 ZN	
031	96634523	BOLT TE M16X 40 UNI 5739 10.9 ZN	VITE TE M16X 40 UNI 5739 10.9 ZN	SCHRAUBE TE M 16 X 40 UNI 5739 10.9 ZN	VIS TE M16X 40 UNI 5739 10.9 ZN	TORNILLO TE M16X 40 UNI 5739 10.9 ZN	
032	97495231	WASHER ELSP ASA B- 27 - 16,2X27,4X3,5 ZN	RONDELLA DIN 127B ELSP-16,2X27,4X3,5 Z	SCHEIBE ELSP ASA B-27 - 16,2X27,4X3,5 ZN	RONDELLE ELS ASA B- 27 - 16,2X27,4X3,5 Z	ARANDELA ELSP ASA B-27-16,2X27,4X3,5 ZN	
033	97036711	GREASE NIPPLE UNI 7663 AM M8X1,25	INGRAS. DIRITTO UNI 7663 A M8X1,25	SCHMIERNIPPEL UNI 7663 AM M8X1,25	GRAISSEUR UNI 7663 AM M8X1,25	LUBRICADOR UNI 7663 AM 8X1,25	
034	17703012	EXTERNAL FLANGE X FIXING GEARBOX 301B	FLANGIA ESTERNA X FISSAGGIO MOLT 301B	FLANSCH AUSSEN FUER FIX. GETRIEBE 301B	BRIDE EXTERIEURE POUR FIXATION MULT 301B	BRIDA EXTERNA X FIJACIÓN MULT 301B	
035	20003068	BUSHING	BOCCOLA AUTOLUBR. FINBW 28590-F325	SELBSTSCHM.GLEITLAGER FINBW 28590-F325	DOUILLE	CASQUILLO AUTOLUBRICANTE 30,5X40,5 L=33	
036	20003140	COLLARXGEARBOX ROTATION 301B/332A MOD11	COLLARE X ROTAZ. MOLT 301B/332A MOD11	RING F.ROTATION GETRIEBE 301B/332A MOD11	COLLIER POUR ROTAT.MULT 301B/332A MOD11	COLLARXROTAC.MULT 301B/332A MOD11	
037	17103137	GEARBOX SUPP 301B FOR OPT 138	SUPP MOLT 301B X OPT 138	HALTERUNG GETRIEBE 301B FUER OPT 138	SUPP MULT 301B POUR OPT 138	SOP. MULT 301B X OPT 138	
038	97346233	BOLT TSEI M12X55 UNI 5933 10.9 BLACK	VITE TSEI M12X 55 UNI 5933 10.9 NERA	SCHRAUBE TSEI M12X55 UNI 5933 10.9 SCHW.	VIS TSEI M12X55 UNI 5933 10.9 NOIRE	TORN.TSEI M12X55UNI5933(DIN 913)0.9NEGRO	
039	96695521	BOLT TCEI M14X 30 UNI 5931 8.8 GV	VITE TCEI M14X 30 UNI 5931 8.8 ZN	SCHRAUBE TCEI M14X 30 UNI 5931 8.8 ZN	VIS CHC M14X 30 UNI 5931 8.8 ZN	TORN.ALLEN M14X 30 UNI 5931 8.8 GALV.	
040	97093311	SMOOTH WASHER M 14 UNI 5714 ZN	ROSETTA PIANA CARPENT. M14 ZN UNI5714	GLATTE SCHEIBE F. M 14 UNI 5714 ZN	RONDELLE LISSE M 14 UNI 5714 ZN	ARANDELA PLANA M14 UNI 5714 ZN	
041	17703138	GEARBOX FLANGE SUPPORT CPL 301B OPT138	SUPP FLANG.CPL MOLT 301B OPT 138	KPL. FLANSCHHALTER. GETRIEBE 301B OPT138	SUPP BRIDE.CPL MULT 301B OPT138	SOP. BRIDA CPL MULT 301B OPT138	
042	96692627	SOCKET HEAD SCREW M10X 50 UNI 5931 12.9	VITE TCEI M10X 50 UNI 5931 12.9 NERA	SCHRAUBE TCEI M10X 50 UNI 5931 12.9 SCHW	VIS CHC M10X 50 UNI 5931 12.9 NOIRE	TORN.ALLEN M10X 50 UNI 5931 12.9 NEGRO	
043	97494934	WASHER ELSP ASA B- 27 - 10,2X18,1X2,2 N	RONDELLA DIN 127B ELSP-10,2X18,1X2,2 N	SCHEIBE ELSP ASA B- 27 - 10,2X18,1X2,2 N	RONDELLE ELS ASA B- 27 - 10,2X18,1X2,2 N	ARANDELA ELSP ASA B-27-10,2X18,1X2,2 N	

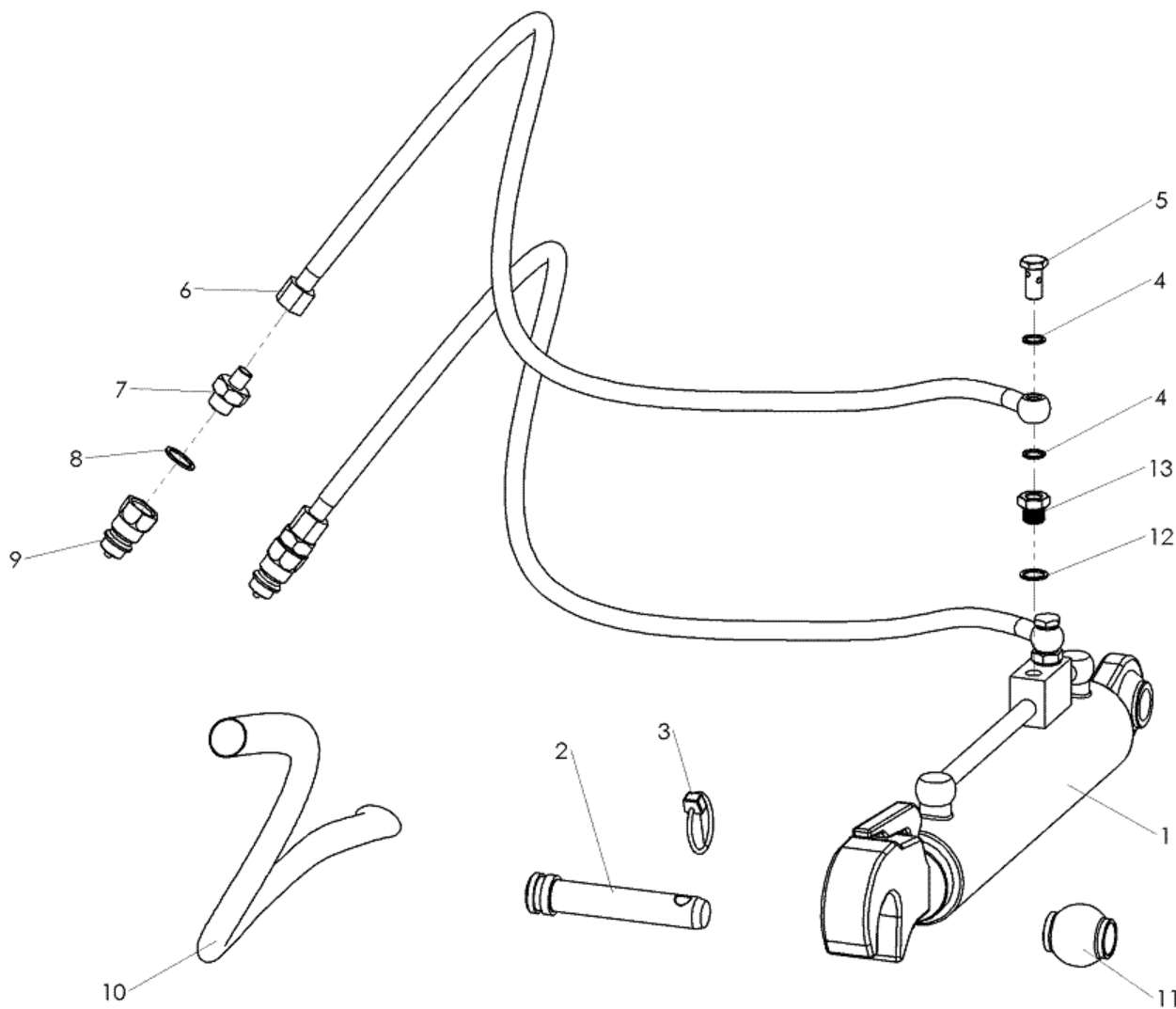
OPT 062 hydraulic top link

OPT 062 terzo punto idraulico

OPT 062 hydr. Oberlenker

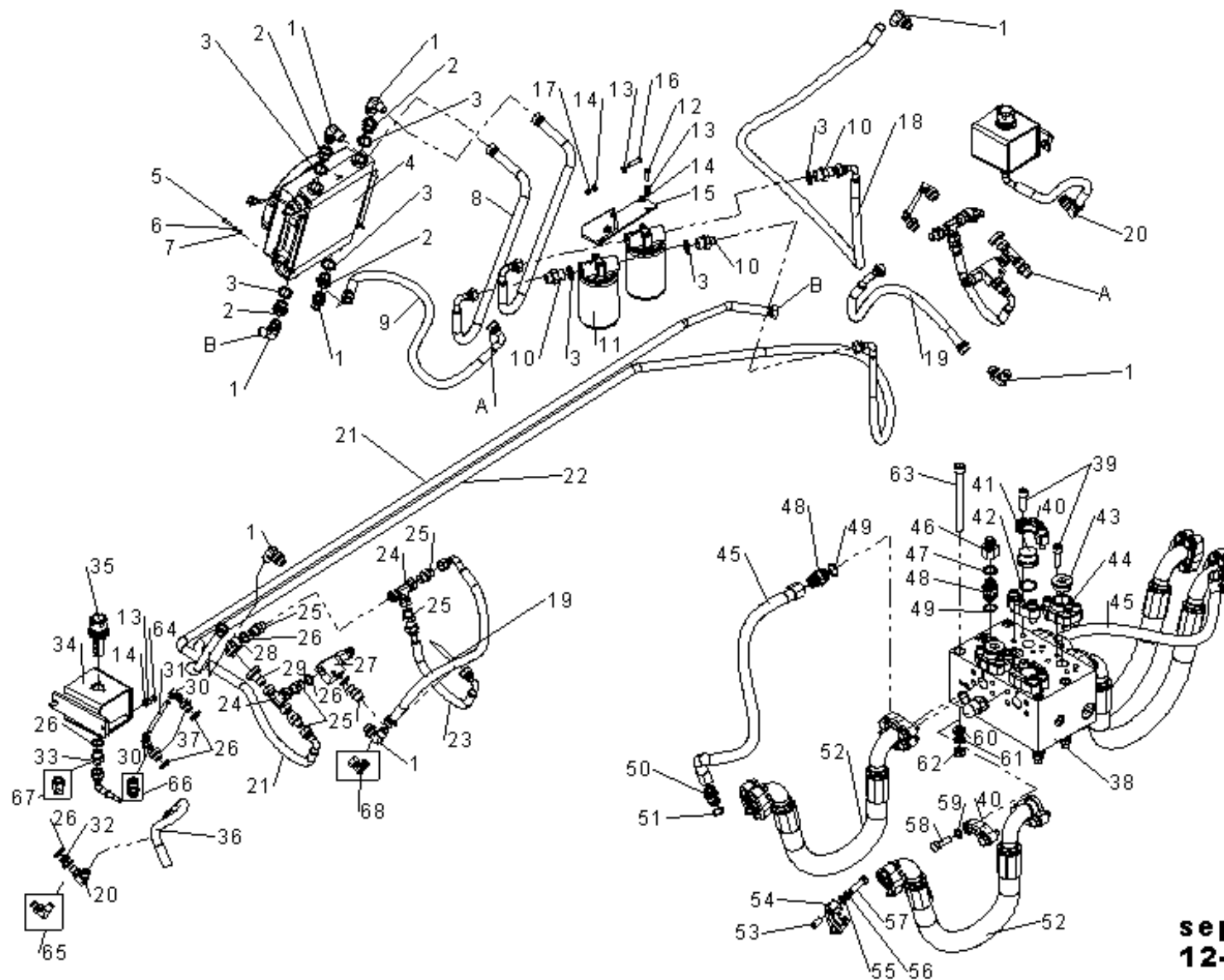
OPT 062 troisième point hyd.

OPT 062 tercer punto hidr.



seppi m.
04-0046

Pos.	Code	Description	Descrizione	Beschreibung	Description	Descripción	Info
001	18912068	HYD CYLINDER 100X45X240 (700-940) 3°P	CILINDRO HYD 100X45X240 (700-940) 3°P	HYD. ZYLINDER 100X45X240 (700-940) 3°P	CYLINDRE HYD 100X45X240 (700-940) 3°P	CILINDRO HYD 100X45X240 (700-940) 3°P	
004	96508160	COPPER GASKET 14 X 18 (1/4")	GUARNIZ.TIPO BONDED AUTOCENT. 1/4"	KUPFERDICHTUNG 14 X 18 (1/4")	JOINT EN CUIVRE 14 X 18 (1/4")	JUNTA SECC. RECT. A14 X 18 (1/4")	
005	19412007	BOLT FOR COUPLING 1/4"	VITE X RACCORDO AD OCCHIO 1/4"	SCHRAUBE F. ANSCHLUSSSTUECK 1/4"	VIS POUR JOINT 1/4"	TORNILLO X EMPALME A OJO 1/4"	
006	18012003	HOSE SAE R2ATDN 1/4"X 1200 FD -O	TUBO IDR R2AT 1/4" 1200-FD- O	SCHLAUCH SAE R2ATDN 1/4"X 1200 FD-O	TUBE SAE R2ATDN 1/4"X 1200 FD -O	TUBO SAE R2ATDN 1/4"X 1200 FD -O	
007	19412009	OIL CAP 1/2"-1/4"	NIPPLO DI RIDUZIONE M-M 1/2" - 1/4"	REDUZIERNIPPL 1/2"-1/4"	TUBULURE 1/2"-1/4"	EMPALME REDUCTOR M-M 1/4"-1/2"	
008	96508460	COPPER GASKET 21,5X27 (1/2")	GUARNIZ.TIPO BONDED AUTOCENT. 1/2"	KUPFERDICHTUNG 21,5 X 27 (1/2")	JOINT EN CUIVRE 21,5X27 (1/2")	JUNTA SECC. RECT. A21,5X 27 (1/2")	
009	19412004	"FASTER" CLUTCH 1/2"M	INNESTO RAPIDO TIPO "FASTER" 1/2" M	SCHNELLKUPPLUNG "FASTER" 1/2"M	EMBAYAGE RAPID "FASTER" 1/2"M	EMBRAGUE RAPIDO "FASTER" 1/2" MACHO	
010	11912023	PROTECTION SHEATH D.35 L=1050	GUAINA DI PROTEZIONE D.32 L=1050	SCHUTZHUELLE D. 35 L=1050	GAINES DE PROT. D.35 L=1050	VAINA PROTECCION D.35 L=1050	



seppi m.
12-0048

Pos.	Code	Description	Descrizione	Beschreibung	Description	Descripción	Info
001	16912010	COMPACT 90° ELBOW M - M ADJUSTABLE 1/2"	CURVA 90° COMPATTA M - M ORIENT. 1/2"	KRUEMMER 90° KOMPAKT M - M DREHBAR 1/2"	COUDE 90° COMPACT M-M ORIENT. 1/2"	CURVA 90° COMPACTA M - H ORIENT. 1/2"	
002	16912009	REDUCTION CAP M 3/4" - F 1/2"	TAPPO RIDUZIONE M 3/4" - F 1/2"	REDUZIERPFROPFFEN M 3/4" - F 1/2"	BOUCHON REDUCTION M 3/4" - F 1/2"	TAPÓN DE REDUCCIÓN M 3/4" - H 1/2"	
003	96508560	COPPER GASKET 27,1X32 (3/4")	GUARNIZ.TIPO BONDED AUTOCENT. 3/4"	KUPFERDICHTUNG 27,1 X 32 (3/4")	JOINT EN CUIVRE 27,1X32 (3/4")	JUNTA SECC. RECT. A27,1X 32 (3/4")	
004	16912003	HEAT EXCHANGER TYPE RAL23/2-12V	SCAMBIATORE DI CALORE TIPO RAL23/2-12V	WAERMETAUSCHER TYP RAL23/2-12V	?CHANGEUR DE CHALEUR TYPE RAL23/2-12V	INTERCAMBIADOR DE CALOR TIPO RAL23/2-12V	OPT 426
004	16912011	DOUBLE HEAT EXCHANGER 30/23 IRA	SCAMBIATORE DI CALORE DOPPIO 30/23 IRA	DOPPELWAERMETAUSCHER 30/23 IRA	ECHANGEUR DE CHALEUR DOUBLE 30/23 IRA	INTERCAMBIADOR DE CALOR DOBLE 30/23 IRA	
005	96603727	BOLT TE M 6X 20 UNI 5739 8.8 ZN	VITE TE M 6X 20 UNI 5739 8.8 ZN	SCHRAUBE TE M 6 X 20 UNI 5739 8,8 ZN	VIS TE M 6X 20 UNI 5739 8.8 ZN	TORNILLO TE M 6X 20 UNI 5739 8.8 ZN	
005	96603821	BOLT TE M 06X025 UNI 5739 8.8 ZN	VITE TE M 6X 25 UNI 5739 8.8 ZN	SCHRAUBE TE M6 X 25 UNI 5739 8,8 ZN	VIS TE M 06X025 UNI 5739 8.8 ZN	TORNILLO TE M 6X 25 UNI 5739 8.8 ZN	OPT 426
005	96689421	BOLT TCEI M 06X030 UNI 5931 8.8 ZN	VITE TCEI M 6X 30 UNI 5931 8.8 ZN	SCHRAUBE TCEI M 6 X 30 UNI 5931 8,8 ZN	VIS TCEI M 06X030 UNI 5931 8.8 ZN	TORNILLO TCEI M 6X 30 UNI 5931 8.8 ZN	OPT 047
006	97494731	WASHER ELSP ASA B- 27 - 06,1X11,8X1,6 ZN	RONDELLA DIN 127B ELSP- 6,1X11,8X1,6 Z	SCHEIBE ELSP ASA B-27 - 06,1X11,8X1,6 ZN	RONDELLE ELS ASA B- 27 - 06,1X11,8X1,6 Z	ARANDELA ELSP ASA B-27- 6,1X11,8X1,6 ZN	
007	97094611	SMOOTH WASHER UNI 6592-06,4X11X1,6 ZN	ROSETTA PIANA 06,4X12X1,6 M 6 ZN UNI6592	GLATTE SCHEIBE UNI 6592- 6,4X11X1,6 ZN	RONDELL. LISSE UNI 6592- 06,4X11X1,6 ZN	ARANDELA PLANA UNI 6592- 06,4X11X1,6 ZN	
009	10412125	HYDR. HOSE R2AT 1/2" 780-FD-F90	TUBO IDR R2AT 1/2" 780-FD-F90	SCHLAUCH R2AT 1/2" 780-FD-F90	TUYAU HYDR R2AT 1/2" 780-FD-F90	TUBO HIDR R2AT 1/2" 780-FD-F90	OPT 047
009	10512126	TUBE R2AT 1/2" 800-FD-F90	TUBO IDR R2AT 1/2" 800-FD-F90	SCHLAUCH R2AT 1/2" 800-FD-F90	TUYAU R2AT 1/2" 800-FD-F90	TUBO R2AT 1/2" 800-FD-F90	
010	10512099	ADAPTING COUPLING M-M 1/2"-3/4" 6687744	NIPPLO DI RIDUZIONE M-M 3/4" - 1/2"	REDUZIERNIPPL M-M 1/2"- 3/4"	JOINT ADAPTEUR M-M 1/2"- 3/4"	EMPALME REDUCTOR M-M 1/2"-3/4"	
011	16903035	FILTER OMT T-05 CS-05-B-N	CARTUCCIA FILTRO OMT CS-05-B-N (25NM)	FILTER OMT T-05 CS-05-B-N	FILTRE OMT T-05 CS-05-B-N	FILTRO OMT T-05 CS-05-B-N	
012	96605621	BOLT TE M 08X025 UNI 5739 8.8 ZN	VITE TE M 8X 25 UNI 5739 8.8 ZN	SCHRAUBE TE M 8 X 25 UNI 5739 8,8 ZN	VIS TE M 08X025 UNI 5739 8.8 ZN	TORNILLO TE M 8X 25 UNI 5739 8.8 ZN	
013	97494831	WASHER ELSP ASA B- 27 - 08,2X14,8X2 ZN	RONDELLA DIN 127B ELSP- 8,2X14,8X2 Z	SCHEIBE ELSP ASA B- 27 - 08,2X14,8X2 ZN	RONDELLE ELS ASA B- 27 - 08,2X14,8X2 ZN	ARANDELA ELSP ASA B-27- 8,2X14,8X2 ZN	
014	97094911	SMOOTH WASHER UNI 6592 - 08,4X16X1,6 ZN	ROSETTA PIANA 08,4X16X1,6 M 8 ZN UNI6592	GLATTE SCHEIBE UNI 6592 - 8,4X16X1,6 ZN	RONDELL.LISSE UNI 6592 - 8,4X16X1,6 ZN	ARANDELA PLANA UNI 6592- 08,4X16X1,6 ZN	
015	16912019	FILTER SUPPORT	SUPPORTO FILTRI	FILTERHALTERUNG	SUPPORT FILTRES	SOPORTE DE FILTROS	
016	96605121	BOLT TE M 08X035 UNI 5737 8.8 ZN	VITE TE M 8X 35 UNI 5737 8.8 ZN	SCHRAUBE TE M 8 X 35 UNI 5737 8,8 ZN	VIS TE M 08X035 UNI 5737 8.8 ZN	TORNILLO TE M 8X 35 UNI 5737 8.8 ZN	
016	96689621	SOCKET HEAD SCREW M 6X 40 UNI 5931 8.8 G	VITE TCEI M 6X 40 UNI 5931 8.8 ZN	SCHRAUBE TCEI M 6X 40 UNI 5931 8,8 ZN	VIS CHC M 6X 40 UNI 5931 8.8 ZN	TORN.ALLEN M 6X 40 UNI 5931 8.8 GALV.	OPT 047
017	97971621	LOW.SELFBLOCK.NUT M 6-6S UNI7474	DADO AUTOBLOC.BASSO M 6-6S UNI7474	SELBSTSICHER.MUTTER M 6-6S UNI7474 NIED.	ECROU AUTOSERR.M 6-6S UNI7474	TUERCA AUTO BLOQ. BAJA M 6-6S UNI7474	OPT 426
017	97971721	LOW.SELFBLOCK.NUT M 8-6S UNI7474	DADO AUTOBLOC.BASSO M 8-6S UNI7474	SELBSTSICHER.MUTTER M 8-6S UNI7474 NIED.	ECROU AUTOSERR.M 8-6S UNI7474	TUERCA AUTO BLOQ. BAJA M 8-6S UNI7474	
018	14112003	TUBE R2AT 1/2"-1300-FD-F90	TUBO IDR R2AT 1/2" 1300-FD-F90	SCHLAUCH R2AT 1/2"-1300-FD-F90	TUYAU R2AT 1/2"-1300-FD-F90	TUBO R2AT 1/2"-1300-FD-F90	
018	47012058	HYD.HOSE R2AT 1/2" 1100-FD-F90	TUBO IDR R2AT 1/2" 1100-FD-F90	SCHLAUCH R2AT 1/2" 1100-FD-F90	TUYAU HYDR R2AT 1/2" 1100-FD-F90	TUBO HIDR R2AT 1/2" 1100-FD-F90	OPT 426
019	16912031	HYDR. HOSE R2AT 1/2" 520-FD-F90	TUBO IDR R2AT 1/2" 520-FD-F90	SCHLAUCH R2AT 1/2" 520-FD-F90	TUYAU HYDR R2AT 1/2" 520-FD-F90	TUBO HIDR R2AT 1/2" 520-FD-F90	OPT 047
019	18003059	HOSE SAE R2ATDN 1/2"X 700 FD -F90	TUBO IDR R2AT 1/2" 700-FD-F90	SCHLAUCH R2AT 1/2" 700-FD-F90	TUBE SAE R2ATDN 1/2"X 700 FD -F90	TUBO SAE R2ATDN 1/2"X 700 FD -F90	
019	47012121	HYD.HOSE R2AT 1/2" 400-FD-F90	TUBO IDR R2AT 1/2" 400-FD-F90	SCHLAUCH R2AT 1/2" 400-FD-F90	TUYAU HYDR R2AT 1/2" 400-FD-F90	TUBO HIDR R2AT 1/2" 400-FD-F90	OPT 426
020	20012009	JOIN 90° M-M GIREVOLE 1/4" + GUARNIZ.	CURVA 90° COMPATTA M - M ORIENT. 1/4"	KNIE 90° M-M DREHBAR 1/4" + DICHTUNG	CONNECTIONS 90° M-M GIREVOLE 1/4" + GUAR	CONNECTIONS 90° M-M GIREVOLE 1/4" + GUAR	OPT 047
020	48112036	COMPACT 90° ELBOW M-M ADJUSTABLE 3/8"	CURVA 90° COMPATTA M - M ORIENT. 3/8"	KRUEMMER 90° KOMPAKT M- M DREHBAR 3/8"	COUDE 90° COMPACT M-M ORIENT.3/8"	CURVA 90° COMPACTA M-H ORIENT.3/8"	
022	10412024	HYDR. TUBE SAE R2ATDN 1/2"X 1550 FD-FD	TUBO IDR R2AT 1/2" 1550-FD-FD	SCHLAUCH SAE R2ATDN 1/2"X 1550 FD-FD	TUYAU HYDR SAE R2ATDN 1/2"X 1550 FD-FD	TUBO HIDR SAE R2ATDN 1/2"X 1550 FD-FD	OPT 426

Pos.	Code	Description	Descrizione	Beschreibung	Description	Descripción	Info
022	10512159	HYDR. TUBE SAE R2ATDN 1/2"X 1000 FD-F9	TUBO IDR R2AT 1/2" 1000-FD-F90	SCHLAUCH SAE R2ATDN 1/2"X 1000 FD-F9	TUYAU HYDR SAE R2ATDN 1/2"X 1000 FD-F9	TUBO HIDR SAE R2ATDN 1/2"X 1000 FD-F9	OPT 047
022	16912021	HYDR. HOSE R2AT 1/2" 2700-FD-F90	TUBO IDR R2AT 1/2" 2700-FD-F90	SCHLAUCH R2AT 1/2" 2700-FD-F90	TUYAU HYDR R2AT 1/2" 2700-FD-F90	TUBO HIDR R2AT 1/2" 2700-FD-F90	
023	11012022	HYDR. HOSE R2AT 1/2" 480-FD-FD	TUBO IDR R2AT 1/2" 480-FD-FD	SCHLAUCH R2AT 1/2" 480-FD-FD	TUYAU HYDR R2AT 1/2" 480-FD-FD	TUBO HIDR R2AT 1/2" 480-FD-FD	OPT 047
023	23712059	TUBE R2AT 1/2"-370-FD-F90	TUBO IDR R2AT 1/2" 370-FD-F90	SCHLAUCH R2AT 1/2"-370-FD-F90	TUYAU R2AT 1/2"-370-FD-F90	TUBO R2AT 1/2"-370-FD-F90	
024	10112088	T COUPLING M-M-M 1/2"	RACCORDO A "T" M 1/2"	TANSCHLUSST.M-M-M 1/2"	JOINT "T" M-M-M 1/2"	EMPALME A "T" M 1/2"	OPT 047
024	13012035	ROTARY TEE FITTING 1/2" F	RACCORDO A "T" 1/2" F GIREVOLE	T-ANSCHLUSS 1/2" F DREHBAR	RACCORD EN « T » 1/2" F ROTATIF	RACOR DE "T" 1/2" H GIRATORIO	
025	11912029	COUPLING M-F 1/2	RACCORDO DRITTO M-F GIREVOLE 1/2"	DREHBARER ANSCHLUSS M-F 1/2"	JOINT M-F 1/2	EMPALME M-F 1/2	OPT 047
025	19012009	COUPLING M-M 1/2"	NIPPL M-M 1/2"	NIPPL M-M 1/2"	JOINT M-M 1/2"	EMPALME M-M 1/2"	
026	96508460	COPPER GASKET 21,5X27 (1/2")	GUARNIZ.TIPO BONDED AUTOCENT. 1/2"	KUPFERDICHTUNG 21,5 X 27 (1/2")	JOINT EN CUIVRE 21,5X27 (1/2")	JUNTA SECC. RECT. A21,5X 27 (1/2")	
027	16912013	MAXIMUM PRESSURE VALVE BLOCK	BLOCCO VALVOLA DI MASSIMA	HOECHSTDRUCKVENTILBLOCK	BLOCAGE SOUPAPE DE PRESSION MAXIMUM	BLOQUE DE VÁLVULAS DE MÁXIMA	
028	42012098	COUPLING F3/8" D30 CPL	RACCORDO A GOMITO F3/8" D30 CPL	ANSCHLUSSSTUECK F3/8" D30 KPL	RACCORD COUD? F3/8" D30 CPL	RACOR DE CODO F3/8" D30 CPL	OPT 426
028	44012113	COUPLING A GOMITO 1/2" 1G12 CPL	RACCORDO A GOMITO F1/2" D30 CPL	L-ANSCHLUSSSTUECK 1/2" 1G12	JOINT A GOMITO 1/2" 1G12 CPL	EMPALME A GOMITO 1/2" 1G12 CPL	
029	42012088	FLANGED COUPLING M-M 1/2" 1DPM12	RACCORDO FLAN. DRITTO 1/2" INT.30 CPL	GEFL.ANSCHLUSSST.M-M 1/2" 1DPM12	JOINT FLANGE M-M 1/2" 1DPM12	EMPALME C/REBORDE R. M1/2"RD30X13,5-1/2	
030	18912057	FITTING "L" REVOLVING MALE	CURVA 90° COMPATTA 1/4" - F TUBO D10	KRUEMMER 90° KOMPAKT 1/4"-F SCHLAUCH D10	JOINT ADAPTEUR M 1/2"-F1/4"	EMPALME A "T" 1/2"-F1/4"	
031	16912020	OIL LEVEL HOSE FOR BOX	TUBO LIVELLO OLIO X SCATOLA	ROHR OELNIVEAU FUER GETRIEBEKASTEN	TUYAU NIVEAU D'HUILE POUR BO?TIER	TUBO NIVEL DE ACEITE X CAJA	
031	18912064	OIL LEVEL TUBEXEXTENSION D.127 L=280	TUBO LIVELLO OLIO X PROL D.127 L=280	SCHLAUCH OELNIVEAU F. VERL. D.127 L=280	TUYAU NIVEAU HUILE POUR RALL D.127 L=280	TUBO DE NIVEL DE ACEITEXPROL D.127 L=280	OPT 426
032	42012030	REDUCTION CAP M 1/2" - F 3/8"	TAPPO RIDUZIONE M 1/2" - F 3/8"	REDUZIERPFROPFEN M 1/2" - F 3/8"	BOUCHON RÉDUCTION M 1/2" - F 3/8"	TAPÓN DE REDUCCIÓN M 1/2" - H 3/8"	
033	18912056	REDUCTION 3/8"-1/4"	RIDUZIONE CONICA 3/8"-1/4"	REDUZIERSTUECK KEGELFOERMIG 3/8"-1/4"	RIDUCTIONS	REDUCCION	
033	42012004	ADAPTING COUPLING M-M 1/2"-3/8"	NIPPL DI RIDUZIONE M-M 1/2" - 3/8"	REDUZIERNIPPL M-M 1/2"-3/8"	JOINT ADAPTEUR M-M 1/2"-3/8"	EMPALME REDUCTOR M-M 1/2"-3/8"	
033	75000222	ADAPTING COUPLING M-M 1/4"-3/4"	NIPPL DI RIDUZIONE M-M 1/4" - 3/4"	ANPASSUNGSSTUECK M-M 1/4"-3/4"	MAMELON DE RÉDUCTION M -M 1/4"-3/4"	NIPLE DE REDUCCIÓN M-M 1/4"-3/4"	OPT 047
034	16912017	OIL TANK 1L	SERBATOIO OLIO 1 LITRO	OELTANK 1Liter	RÉSERVOIR D'HUILE 1L	DEPÓSITO DE ACEITE 1L	
035	16903026	OIL TANK FILLER CAP	TAPPO RIEMPIMENTO SERB. OLIO	PROPFEN BEHAELTERBEFUELLUNG OEL	BOUCHON REMPLISSAGE RÉSERV. HUILE	TAPÓN DE LLENADO DEL DEPÓS. ACEITE	
036	10412017	TUBE R2AT 3/8"-370-FD-F90	TUBO IDR R2AT 3/8" 370-FD-F90	SCHLAUCH R2AT 3/8"-370-FD-F90	TUYAU R2AT 3/8"-370-FD-F90	TUBO R2AT 3/8"-370-FD-F90	
036	16912030	HYDR. HOSE R2AT 1/4" 350-FD-F90	TUBO IDR R2AT 1/4" 350-FD-F90	SCHLAUCH R2AT 1/4" 350-FD-F90	TUYAU HYDR R2AT 1/4" 350-FD-F90	TUBO HIDR R2AT 1/4" 350-FD-F90	OPT 047
036	18912085	HYDR. TUBE SAE R2 3/8"X 160 M-NPT - FD	TUBO IDR R2AT 3/8" 160-FD-MD NPT	SCHLAUCH SAE R2 3/8"X 160 M-NPT - FD	TUYAU HYDR SAE R2 3/8"X 160 M-NPT - FD	TUBO HIDR SAE R2 3/8"X 160 M-NPT - FD	OPT 426
037	48120018	ADAPTING COUPLING M 1/2"-F 1/4"	TAPPO RIDUZIONE M 1/2" - F 1/4"	REDUZIERSTUECK M 1/2" - F 1/4"	JOINT ADAPTEUR M 1/2"-F 1/4"	EMPALME DE REDUCCION M 1/2" - F 1/4"	
038	17912052	BYPASS VALVE BLOCK CPL MIDIF.DT 250	BLOCCO VALV. BYPASS CPL MIDIF.DT 250	VENT. BLOCK KPL. BYPASS MIDIF.DT 250	BLOCAGE SOUP. BYPASS CPL MIDIF.DT 250	BLOQUE VÁLV. BYPASS CPL MIDIF.DT 250	
039	96695821	BOLT TCEI M14X 45 UNI 5931 8.8 GV	VITE TCEI M14X 45 UNI 5931 8.8 ZN	SCHRAUBE TCEI M14X 45 UNI 5931 8.8 ZN	VIS CHC M14X 45 UNI 5931 8.8 ZN	TORN.ALLEN M14X 45 UNI 5931 8.8 GALV.	
040	19012039	DEMI FLANGE SAE J518 6000 1"1/4	SEMIFLANGIA SAE J518 6000 1"1/4 COD.62	HALBFLANGE SAE J518 6000 1"1/4	PROTECTIONS	SEMI CONECTOR SAE J518 6000 1"1/4	

Pos.	Code	Description	Descrizione	Beschreibung	Description	Descripción	Info
041	19512042	BLIND SHANK 1"1/4 VALV BLOCK CLOSURE	CODOLO CIECO 1"1/4 CHIUSURA BLOCCO VALV	SCHAFT 1"1/4 SCHLIESSEN VENTILBLOCK	ERGOT INVISIBLE 1"1/4 FERMET. BLOC SOUP	ESPIGA CIEGA 1"1/4 CIERRE BLOQUE V?LV.	
042	97289480	O-RING OR 222/4150 37,69*3,53	ANELLO O-RING OR 222/4150 37,69X3,53	O-DICHTUNGSRING 222/4150 37,69 X 3,53	BAGUE ETACH. OR 222/4150 37,69X3,53	RETEN 222/4150 37,69*3,53	
043	17912053	MALE HEX.SOCK.CAP 1"1/4	TAPPO MASCHIO ESAG. INC. 1"1/4	PROPFEN AUSSENGEW+SECHSKANT.I NC. 1"1/4	BOUCHON M?LE HEXAG.ENC.1"1/4	TAP?N MACHO HEXAG.INC.1"1/4	
044	48112027	FLANGE	FLANGIA SAE FILETTATA DRITTA 1"1/4 6000	GERADE FLANSCH INN. GEW. 1"1/4 6000	FLANGE	BRIDA	
045	23712064	HOSE SAE R2ATDN 3/4"X 950 FD -F90°	TUBO IDR R2AT 3/4" 950-FD- F90	SCHLAUCH SAE R2ATDN 3/4"X 950 FD -F90°	TUBE SAE R2ATDN 3/4"X 950 FD -F90°	TUBO SAE R2ATDN 3/4"X 950 FD -F90°	
046	17612080	REDUCT.FITTING F3/4"- M1"1/16JIC LE=51	RACCORDO RIDUZ. F3/4" - M1"1/16JIC LE=51	REDUZIERSTUECK.F3/4"- M1"1/16JIC LE=51	RACCORD R?DUCT.F3/4"- M1"1/16JIC LE=51	EMPALME REDUC.F3/4"- M1"1/16JIC LE=51	
047	96508560	COPPER GASKET 27,1X32 (3/4")	GUARNIZ.TIPO BONDED AUTOCENT. 3/4"	KUPFERDICHTUNG 27,1 X 32 (3/4")	JOINT EN CUIVRE 27,1X32 (3/4")	JUNTA SECC. RECT. A27,1X 32 (3/4")	
048	17612006	REDUCTION NIPPLE M-M 3/4"-1"5/16JIC	NIPPLO DI RIDUZIONE M-M 3/4"-1"5/16JIC	ANPASSUNGSSTUECK M-M 3/4"-1"5/16JIC	MAMELON DE R?DUCTION M- M 3/4"-1"5/16JIC	NIPLE DE REDUCCI?N M-M 3/4"-1"5/16JIC	
049	97281880	OIL SEAL OR 125/3131 29,82X2,62	ANELLO O-RING OR 123/3118 29,82 X 2,62	O-DICHTUNGSRING 123/3118 29,82 X 2,62	BAGUE ETACH. OR 123/3118 29,82X2,62	RETEN 123/3118 29,82X2,62	
050	13112001	ADAPTING COUPLING M-M 3/4"- 1/1/16	NIPPLO DI RIDUZIONE M-M 3/4"- 1"1/16JIC	REDUZIERNIPPL M-M 3/4"- 1"1/16JIC	JOINT ADAPTEUR M-M 3/4"- 1"1/16JIC	EMPALME REDUCTOR M-M 3/4"-1"1/16JIC	
051	97282280	OIL SEAL OR 119/3093 23,47X2,62	ANELLO O-RING OR 119/3093 23,47X2,62	O-DICHTUNGSRING 119/3093 23,47 X 2,62	BAGUE ETACH. OR 119/3093 27,47X2,62	RETEN 119/3093 23,47X2,62	
052	17912065	HYDR. HOSE G6K 1"1/4 660G -FL90-FL90	TUBO IDR G6K 1"1/4 660G- FL90-FL90	HYDRAULIKROHR G6K 1"1/4 660G-FL90-FL90	TUYAU HYDR G6K 1"1/4 660G-FL90-FL90	TUBO HIDR. G6K 1"1/4 660G- FL90-FL90	
053	17912064	BUSHING 15X12.5 L25 DIAMETER REDUCTION	BOCCOLA 15X12.5 L25 RIDUZIONE DIAMETRO	BUECHSE 15X12.5 L25 REDUZ. DURCHMESSER	BAGUE 15X12.5 L25 R?DUCTION DIAM?TRE	CASQUILLO 15X12.5 L25 REDUCCI?N DI?METRO	
055	97093211	WASHER	ROSETTA PIANA CARPENT. M12 ZN UNI5714	GLATTE SCHEIBE F. M12 UNI 5714 ZN	RONDELLE LISSE M M12 UNI 5714	ARANDELA PLANA CARPINT.X M12 UNI 5714 ZN	
056	97495031	WASHER ELSP ASA B- 27 - 12,2X21,2X2,5 ZN	RONDELLA DIN 127B ELSP- 12,2X21,2X2,5 Z	SCHEIBE ELSP ASA B-27 - 12,2X21,2X2,5 ZN	RONDELLE ELS ASA B- 27 - 12,2X21,2X2,5 Z	ARANDELA ELSP ASA B-27- 12,2X21,2X2,5 ZN	
057	96610221	BOLT TE M 12X045 UNI 5739 8.8 ZN	VITE TE M12X 45 UNI 5739 8.8 ZN	SCHRAUBE TE M 12 X 45 UNI 5739 8,8 ZN	VIS TE M 12X045 UNI 5739 8.8 ZN	TORNILLO TE M12X 45 UNI 5739 8.8 ZN	
058	96612523	HEX HEAD SCREW M14X 45 UNI 5739 10.9 GV	VITE TE M14X 45 UNI 5739 10.9 ZN	SCHRAUBE TE M14X 45 UNI 5739 10,9 ZN	VIS TH M14X 45 UNI 5739 10.9 ZN	TORNILLO TE M14X 45 UNI 5739 10.9 GALV.	
059	97495131	WASHER ELSP ASA B- 27 - 14,2X24,1X3 ZN	RONDELLA DIN 127B ELSP- 14,2X24,1X3 Z	SCHEIBE ELSP ASA B- 27 - 14,2X24,1X3 ZN	RONDELLE ELS ASA B- 27 - 14,2X24,1X3 ZN	ARANDELA ELSP ASA B-27- 14,2X24,1X3 ZN	
060	97093611	SMOOTH WASHER CARPENT.X M16 UNI 5714 ZN	ROSETTA PIANA CARPENT. M16 ZN UNI5714	GLATTE SCHEIBE F. M16 UNI 5714 ZN	RONDELL. LISSE CARPENT.X M16 UNI 5714 ZN	ARANDELA PLANA M16 UNI 5714 ZN	
061	97495231	WASHER ELSP ASA B- 27 - 16,2X27,4X3,5 ZN	RONDELLA DIN 127B ELSP- 16,2X27,4X3,5 Z	SCHEIBE ELSP ASA B-27 - 16,2X27,4X3,5 ZN	RONDELLE ELS ASA B- 27 - 16,2X27,4X3,5 Z	ARANDELA ELSP ASA B-27- 16,2X27,4X3,5 ZN	
062	97972521	LOW.SELFBLOCK.NUT M 16- 6S UNI7474	DADO AUTOBLOC.BASSO M16-6S UNI7474	SELBSTSICHER.MUTTER M16 -6S UNI7474 NIED.	ECROU AUTOSERR.M 16-6S UNI7474	TUERCA AUTO BLOQ. BAJA M 16-6S UNI7474	
063	96699521	BOLT TCEI M16X180 UNI 5931 8.8 GV	VITE TCEI M16X180 UNI 5931 8.8 ZN	SCHRAUBE TCEI M16X180 UNI 5931 8,8 ZN	VIS CHC M16X180 UNI 5931 8.8 ZN	TORN.ALLEN M16X180 UNI 5931 8.8 GALV.	
064	96605021	BOLT TE M 08X030 UNI 5737 8.8 ZN	VITE TE M 8X 30 UNI 5737 8.8 ZN	SCHRAUBE TE M 8 X 30 UNI 5737 8,8 ZN	VIS TE M 08X030 UNI 5737 8.8 ZN	TORNILLO TE M 8X 30 UNI 5737 8.8 ZN	
065	13112009	JOIN 90°DA 1/2"CON RACC.GIREV.MFG90G1/2	CURVA 90° M-F GIREVOLE G 1/2"	KNIE 90° 1/2"DREH. MFG90G1/2	CONNECTIONS 90°DA 1/2"CON RACC.GIREV.MFG	CONNECTIONS 90°DA 1/2"CON RACC.GIREV.MFG	
066	48030971	CAP FOR OIL (08. CAP)	TAPPO SFIATO 3/8" G (08. TAPPO SFIATO)	OELPFROPFEN	BOUCHON P.HUILE (08. BOUCHON)	TAPON CON RESPIRADERO ACEITE (08)	
067	18912087	EXTENSION M - F 3/8" L.TOT=32 L.ES=20	PROLUNGA M - F 3/8" L.TOT=32 L.ES=20	VERL. M - F 3/8" L.TOT=32 L.ES=20	RALLONGE M - F 3/8" L.TOT=32 L.ES=20	PROLONGACI?N M - F 3/8" L.TOT=32 L.ES=20	
068	11012018	COMPACT ROTARY 90° ELBOW M - F 1/2"	CURVA 90° COMPATTA M - F GIREV. 1/2"	KRUEMMER 90°KOMPAKT M - F DREHBAR 1/2"	COUDE 90° COMPACT M-F ROTAT. 1/2"	CURVA 90° COMPACTA M - H GIRATOR. 1/2"	

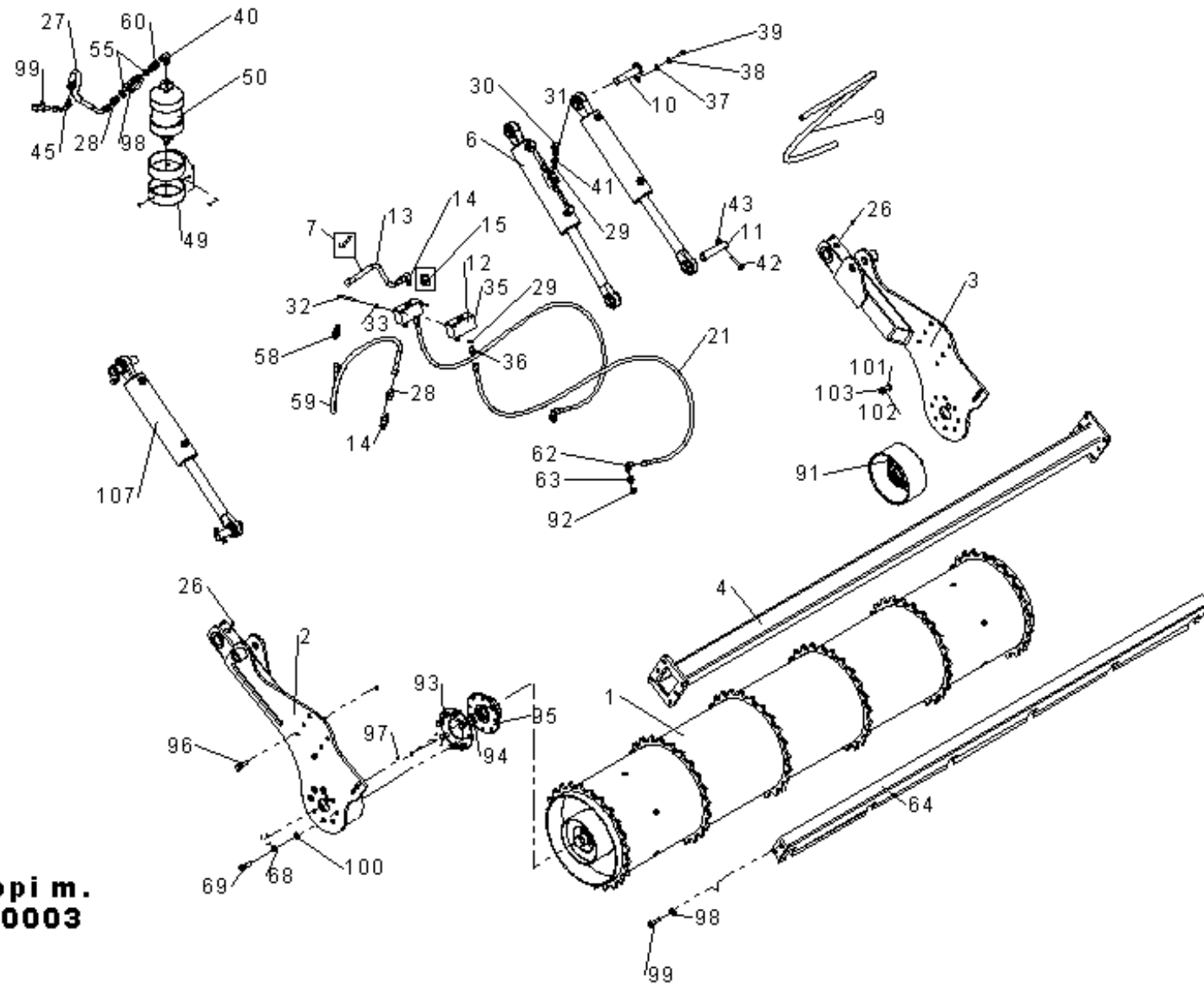
Compating roller

rullo appoggio

Festigungswalze

rouleau compacteur

rodillo compactador



**seppi m.
15-0003**

Pos.	Code	Description	Descrizione	Beschreibung	Description	Descripción	Info
001	17115135	CPL ROLLER HOSE L=175	TUBO RULLO CPL L=175	KPL WALZENSCHL. L=175	TUYAU ROULEAU CPL L=175	TUBO RODILLO CPL L=175	
001	17115136	CPL ROLLER HOSE L=200	TUBO RULLO CPL L=200	KPL WALZENSCHL. L=200	TUYAU ROULEAU CPL L=200	TUBO RODILLO CPL L=200	
001	17115137	CPL ROLLER HOSE L=225	TUBO RULLO CPL L=225	KPL WALZENSCHL. L=225	TUYAU ROULEAU CPL L=225	TUBO RODILLO CPL L=225	
001	17115138	CPL ROLLER HOSE L=250	TUBO RULLO CPL L=250	KPL WALZENSCHL. L=250	TUYAU ROULEAU CPL L=250	TUBO RODILLO CPL L=250	
002	17115132	ROLLER LH BOOM MULTIFORST	BRACCIO SX RULLO MULTIFORST	ARM LINKS WALZE MULTIFORST	BRAS GAUCHE ROULEAU MULTIFORST	BRAZO IZQ. RODILLO MULTIFORST	
003	17115133	ROLLER RH BOOM MULTIFORST	BRACCIO DX RULLO MULTIFORST	ARM RECHTS WALZE MULTIFORST	BRAS DROIT ROULEAU MULTIFORST	BRAZO DERECH. RODILLO MULTIFORST	
004	17115149	ROLLER CONNECTION BEAM CPL 175	TRAVERSA COLLEGAMENTO RULLO CPL 175	QUERROHR VERBINDUNG WALZE KPL 175	TRAVERSE RACCORDEMENT ROULEAU CPL 175	TRAVESAÑO CONEXIÓN DEL RODILLO CPL 175	
004	17115150	ROLLER CONNECTION BEAM CPL 200	TRAVERSA COLLEGAMENTO RULLO CPL 200	QUERROHR VERBINDUNG WALZE KPL 200	TRAVERSE RACCORDEMENT ROULEAU CPL 200	TRAVESAÑO CONEXIÓN DEL RODILLO CPL 200	
004	17115151	ROLLER CONNECTION BEAM CPL 225	TRAVERSA COLLEGAMENTO RULLO CPL 225	QUERROHR VERBINDUNG WALZE KPL 225	TRAVERSE RACCORDEMENT ROULEAU CPL 225	TRAVESAÑO CONEXIÓN DEL RODILLO CPL 225	
004	17115152	ROLLER CONNECTION BEAM CPL 250	TRAVERSA COLLEGAMENTO RULLO CPL 250	QUERROHR VERBINDUNG WALZE KPL 250	TRAVERSE RACCORDEMENT ROULEAU CPL 250	TRAVESAÑO CONEXIÓN DEL RODILLO CPL 250	
009	17912006	PROTECTION SHEATH D. 32 L=2000	GUAINA DI PROTEZIONE D.32 L=2000	SCHUTZHUELLE D. 35 L=2000	GAINÉ DE PROT. D. 32 L=2000	VAINA PROTECCION D. 35 L=2000	
010	19012034	PIN WITH PLATE D30X120 INT=45	PERNO CON GOCCIA D30X120 INT=45 M10	BOLZEN M. PLATTE D30X120 INT=45	GAUJON A.PLAQUE D30X120 INT=45	PERNO CON PLACA D30X120 INT=45	
011	19009089	PIN D30 X 132 WITH BORE D11	PERNO D30 X 132 CON FORO D11	BOLZEN D30 X 132 MIT BOHRUNG D11	PIVOT D30 X 132 AVEC TROU D11	PERNO D30 X 132 CON FORO D11	
012	17112002	DISTR.3 WAY	DIVISORE DI FLUSSO RIUNIF 50-50 DFR38-01	OELFLUSSVERTEILER DFR38 -01	DISTRIBUTOR	DIVISOR DE CAUDAL 50-50 DFR38-01	
014	19412004	"FASTER" CLUTCH 1/2"M	INNESTO RAPIDO TIPO "FASTER" 1/2" M	SCHNELLKUPPLUNG "FASTER" 1/2"M	EMBRAYAGE RAPID "FASTER" 1/2"M	EMBRAGUE RAPIDO "FASTER" 1/2" MACHO	
015	19012008	COUPLING M-M 3/8"	NIPPLO M-M 3/8"	ANSCHLUSS STUECK - M 3/8"	JOINT M-M 3/8"	EMPALME M-M 3/8"	
021	10412018	HYDR. TUBE SAE R2ATDN 3/8"X 950 FD-FD	TUBO IDR R2AT 3/8" 950-FD- FD	SCHLAUCH SAE R2ATDN 3/8"X 950 FD-FD	TUYAU HYDR SAE R2ATDN 3/8"X 950 FD-FD	TUBO HIDR SAE R2ATDN 3/8"X 950 FD-FD	
027	16912024	HYDR. TUBE SAE R2ATDN 3/8"X 1500 FD-FD	TUBO IDR R2AT 3/8" 1500-FD- FD	SCHLAUCH SAE R2ATDN 3/8"X 1500 FD-FD	TUYAU HYDR SAE R2ATDN 3/8"X 1500 FD-FD	TUBO HIDR SAE R2ATDN 3/8"X 1500 FD-FD	
028	42012004	ADAPTING COUPLING M-M 1/2"-3/8"	NIPPLO DI RIDUZIONE M-M 1/2" - 3/8"	REDUZIERNIPPL M-M 1/2"- 3/8"	JOINT ADAPTEUR M-M 1/2"- 3/8"	EMPALME REDUCTOR M-M 1/2"-3/8"	
029	96508460	COPPER GASKET 21,5X27 (1/2")	GUARNIZ.TIPO BONDED AUTOCENT. 1/2"	KUPFERDICHTUNG 21,5 X 27 (1/2")	JOINT EN CUIVRE 21,5X27 (1/2")	JUNTA SECC. RECT. A21,5X 27 (1/2")	
032	96690227	BOLT TCEI M 6X 90 UNI 5931 8.8 ZN	VITE TCEI M 6X 90 UNI 5931 8.8 ZN	SCHRAUBE TCEI M 6X 90 UNI 5931 8,8 ZN	VIS TCEI M 6X 90 UNI 5931 8.8 ZN	TORNILLO TCEI M 6X 90 UNI 5931 8.8 ZN	
033	97494731	WASHER ELSP ASA B- 27 - 06,1X11,8X1,6 ZN	RONDELLA DIN 127B ELSP- 6,1X11,8X1,6 Z	SCHEIBE ELSP ASA B-27 - 06,1X11,8X1,6 ZN	RONDELLE ELS ASA B- 27 - 06,1X11,8X1,6 Z	ARANDELA ELSP ASA B-27- 6,1X11,8X1,6 ZN	
036	10412152	ADAPTING COUPLING M-M 1/4"-3/8"	NIPPLO DI RIDUZIONE M-M 3/8" - 1/4"	REDUZIERNIPPL M-M 1/4"- 3/8"	JOINT ADAPTEUR M-M 1/4"- 3/8"	EMPALME REDUCTOR M-M 1/4"-3/8"	
037	97095111	SMOOTH WASHER UNI 6592 - 10,5X21X2,0 ZN	ROSETTA PIANA 10,5X20X2,0 M10 ZN UNI6592	GLATTE SCHEIBE UNI 6592 - 10,5X21X2 ZN	RONDELL.LISSE UNI 6592 - 10,5X21X2,0 ZN	ARANDELA PLANA UNI 6592- 10,5X21X2,0 ZN	
038	97494931	WASHER ELSP ASA B- 27 - 10,2X18,1X2,2 ZN	RONDELLA DIN 127B ELSP- 10,2X18,1X2,2 Z	SCHEIBE ELSP ASA B-27 - 10,2X18,1X2,2 ZN	RONDELLE ELS ASA B- 27 - 10,2X18,1X2,2 Z	ARANDELA ELSP ASA B-27- 10,2X18,1X2,2 ZN	
039	96607621	BOLT TE M 10X025 UNI 5739 8.8 ZN	VITE TE M10X 25 UNI 5739 8.8 ZN	SCHRAUBE TE M 10 X 25 UNI 5739 8,8 ZN	VIS TE M 10X025 UNI 5739 8.8 ZN	TORNILLO TE M10X 25 UNI 5739 8.8 ZN	
041	42012059	SHAFT M 3/8" - F 1/4" L=33	TAPPO RIDUZIONE M 3/8" - F 1/4"	ANPASSUNGSSTUECK M 3/8" - F 1/4" L=33	PROLONGE M 3/8" - F 1/4" L=33	PROLONGACION M 3/8" - F 1/4" L=33	
042	96608321	BOLT TE M 10X060 UNI 5737 8.8 ZN	VITE TE M10X 60 UNI 5737 8.8 ZN	SCHRAUBE TE M 10 X 60 UNI 5737 8,8 ZN	VIS TE M 10X060 UNI 5737 8.8 ZN	TORNILLO TE M10X 60 UNI 5737 8.8 ZN	
043	97971821	LOW.SELFBLOCK.NUT M 10- 6S UNI7474	DADO AUTOBLOC.BASSO M10-6S UNI7474	SELBSTSICHER.MUTTER M10 -6S UNI7474 NIED.	ECROU AUTOSERR.M 10-6S UNI7474	TUERCA AUTO BLOQ. BAJA M 10-6S UNI7474	
058	17712029	PANEL FEED-THROUGH FITTING M3/8"-M3/8"	RACCORDO PASSAPARETE M3/8"-M3/8"	ANSCHLUSS SCHOTTVERSCHRAUBUNG M3/8"-M3/8	RACCORD PASSE-PAROI M3/8"-M3/8"	RACOR PASAMUROS M3/8"- M3/8"	

Pos.	Code	Description	Descrizione	Beschreibung	Description	Descripción	Info
059	10412105	HOSE SAE R2ATDN 1/4"X 2200 FD -FD	TUBO IDR R2AT 1/4" 2200-FD-FD	SCHLAUCH SAE R2ATDN 1/4"X 2200 FD-FD	TUBE SAE R2ATDN 1/4"X 2200 FD -FD	TUBO SAE R2ATDN 1/4"X 2200 FD -FD	
062	20012009	JOIN 90° M-M GIREVOLE 1/4" + GUARNIZ.	CURVA 90° COMPATTA M - M ORIENT. 1/4"	KNIE 90° M-M DREHBAR 1/4" + DICHTUNG	CONNECTIONS 90° M-M GIREVOLE 1/4" + GUAR	CONNECTIONS 90° M-M GIREVOLE 1/4" + GUAR	
064	17115157	ROLLER SCRAPER CPL L=175	RASCHIARULLO CPL L=175	WALZENSCHABER CPL L=175	D?CROTTEUR CPL L=175	RASPADOR DE RODILLO CPL L=175	
064	17115158	ROLLER SCRAPER CPL L=200	RASCHIARULLO CPL L=200	WALZENSCHABER CPL L=200	D?CROTTEUR CPL L=200	RASPADOR DE RODILLO CPL L=200	
064	17115159	ROLLER SCRAPER CPL L=225	RASCHIARULLO CPL L=225	WALZENSCHABER CPL L=225	D?CROTTEUR CPL L=225	RASPADOR DE RODILLO CPL L=225	
064	17115160	ROLLER SCRAPER CPL L=250	RASCHIARULLO CPL L=250	WALZENSCHABER KPL L=250	D?CROTTEUR CPL L=250	RASPADOR DE RODILLO CPL L=250	
068	97495131	WASHER ELSP ASA B- 27 - 14,2X24,1X3 ZN	RONDELLA DIN 127B ELSP- 14,2X24,1X3 Z	SCHEIBE ELSP ASA B- 27 - 14,2X24,1X3 ZN	RONDELLE ELS ASA B- 27 - 14,2X24,1X3 ZN	ARANDELA ELSP ASA B-27- 14,2X24,1X3 ZN	
069	96612421	BOLT TE M 14X040 UNI 5739 8.8 ZN	VITE TE M14X 40 UNI 5739 8.8 ZN	SCHRAUBE TE M 14 X 40 UNI 5739 8,8 ZN	VIS TE M 14X040 UNI 5739 8.8 ZN	TORNILLO TE M14X 40 UNI 5739 8.8 ZN	
091	13002035	CPL SUPPORT WITHOUT RABBET D. 085	SUPPORTO CPL SENZA BATTUTA D.085	KPL. ROTORHALTER OHNE ANSCHLAG DM 085	SUPPORT CPL SANS FEUILLURE D. 085	SOPORTE CPL SIN RANURA D.085	
092	96508360	COPPER GASKET 17 X 22 (3/8")	GUARNIZ.TIPO BONDED AUTOCENT. 3/8"	KUPFERDICHTUNG 17 X 22 (3/8")	JOINT EN CUIVRE 17 X 22 (3/8")	JUNTA SECC. RECT. A17 X 22 (3/8")	
093	16915027	SHIMMING FLANGE	FLANGIA DI SPESSORAMENTO	UNTERLEGUNGSFLANSCH	BRIDE D'?PAISSEUR	BRIDA DE ESPESOR	
094	96867676	EL.RING F.SHAFTS 45X1,75	ANELLO EL. PER ALBERI 45X1,75	WELLENSPANNRING 45X1,75	BAGUE ARRET P.ARBRES 45X1,75	RETEN EL.P.EJES 45X1,75	
095	13002034	CPL SUPPORT WITH RABBET D. 085	SUPPORTO CPL CON BATTUTA D.085	KPL HALTER MIT ANSCHLAG DM 085	SUPP.CPL AVEC FEUILLURE D. 085	SOPORTE CPL CON RANURA D.085	
096	96612535	HEX HEAD SCREW M14X 45 UNI 5737 10.9 GV	VITE TE M14X 45 UNI 5737 10.9 ZN	SCHRAUBE TE M14X 45 UNI 5737 10.9 ZN	VIS TH M14X 45 UNI 5737 10.9 ZN	TORNILLO TE M14X 45 UNI 5737 10.9 GALV.	
097	97036611	GREASE NIPPLE UNI 7663 AM 6-5.8	INGRASS DIRITTO UNI 7663A M 6X1(5-8CH7	SCHMIERNIPPEL UNI 7663 AM 6X1 (5-8)	GRAISSEUR UNI 7663 AM 6-5.8	LUBRICADOR UNI 7663 AM 6X1 (5-8CH7	
098	97093311	SMOOTH WASHER M 14 UNI 5714 ZN	ROSETTA PIANA CARPENT. M14 ZN UNI5714	GLATTE SCHEIBE F. M 14 UNI 5714 ZN	RONDELLE LISSE M 14 UNI 5714 ZN	ARANDELA PLANA M14 UNI 5714 ZN	
100	97095511	SMOOTH WASHER UNI 6592 - 14X28X2,5 ZN	ROSETTA PIANA 15,0X28X2,5 M14 ZN UNI6592	GLATTE SCHEIBE UNI 6592 - 14X28X2,5 ZN	RONDELL.LISSE UNI 6592 - 14X28X2,5 ZN	ARANDELA PLANA UNI 6592- 14,0X28X2,5 ZN	
103	97972321	LOW.SELFBLOCK.NUT M 14-6S UNI7474	DADO AUTOBLOC.BASSO M14-6S UNI7474	SELBSTSICHER.MUTTER M14 -6S UNI7474 NIED.	ECROU AUTOSERR.M 14-6S UNI7474	TUERCA AUTO BLOQ. BAJA M 14-6S UNI7474	
107	17112011	HYD CYLINDER 80X40X250 (550-800)	CILINDRO HYD 80X40X250 (550-800)	HYD. ZYLINDER 80X40X250 (550-800)	CYLINDRE HYD 80X40X250 (550-800)	CILINDRO HYD 80X40X250 (550-800)	

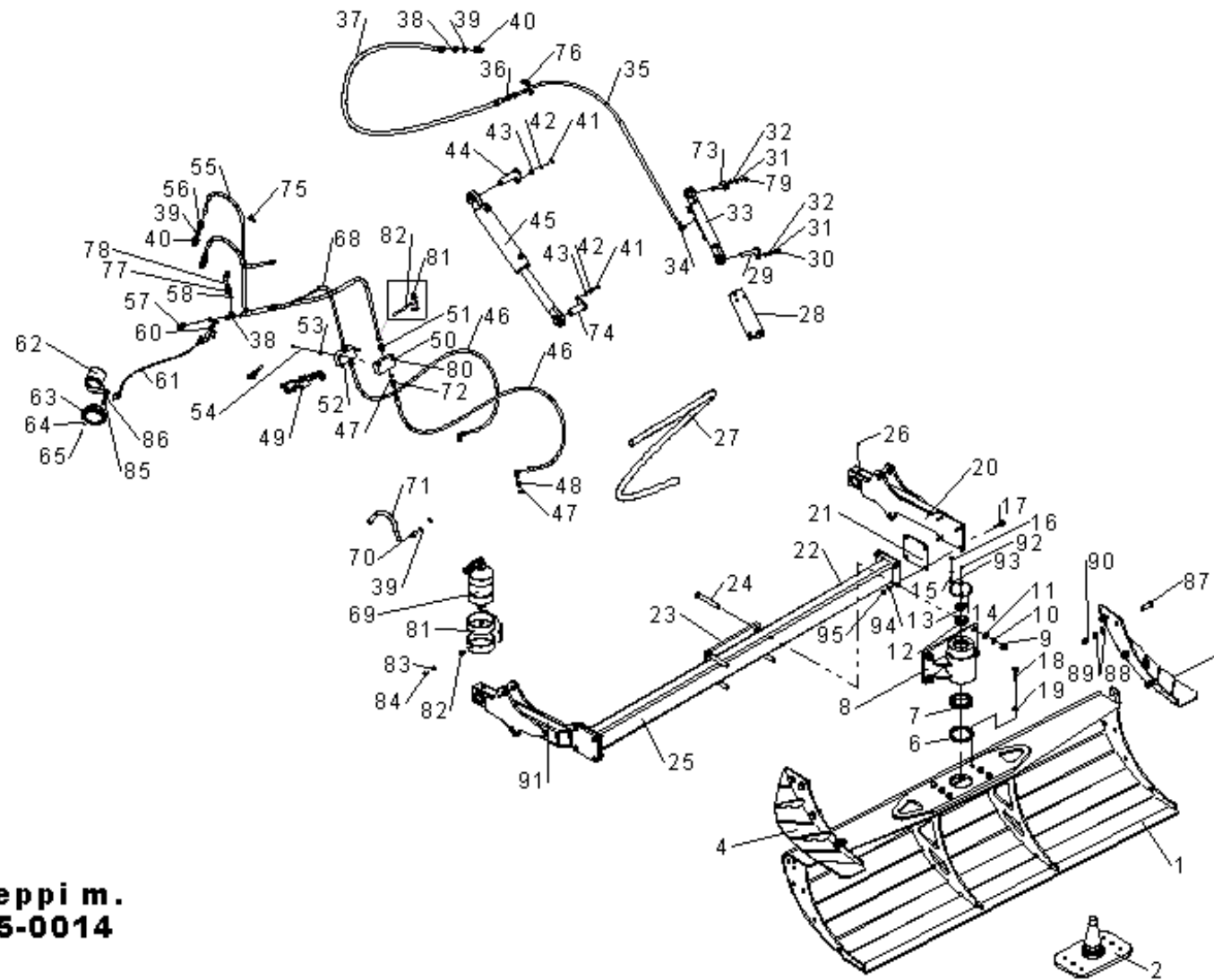
Adjustable grader blade

lama livellatrice

Planierschild

lame niveleuse

cuchilla niveladora



seppi m.
15-0014

Pos.	Code	Description	Descrizione	Beschreibung	Description	Descripción	Info
001	17115119	GRADER BLADE 250 CPL	LAMA LIVELLATRICE 250 CPL	MESSER NIVELLIERVORRICHTUNG 250 KPL	LAME DE NIVELLEMENT 250 CPL	CUCHILLA NIVELADORA 250 CPL	
001	19815196	GRADER BLADE 175 CPL '11	LAMA LIVELLATRICE 175 CPL MOD 11	KPL.MESSER NIVELLIERVORRICHTUNG 175 '11	LAME DE NIVELLEMENT 175 CPL '11	CUCHILLA NIVELADORA 175 CPL '11	
001	19815197	GRADER BLADE 200 CPL '11	LAMA LIVELLATRICE 200 CPL MOD 11	KPL.MESSER NIVELLIERVORRICHTUNG 200 '11	LAME DE NIVELLEMENT 200 CPL '11	CUCHILLA NIVELADORA 200 CPL '11	
001	19815198	GRADER BLADE 225 CPL '11	LAMA LIVELLATRICE 225 CPL MOD 11	KPL.MESSER NIVELLIERVORRICHTUNG 225 '11	LAME DE NIVELLEMENT 225 CPL '11	CUCHILLA NIVELADORA 225 CPL '11	
002	19815224	PIN CPLXGRADER BLADE '11	PERNO CPL X LAMA LIVELLATRICE MOD.11	KPL.BOLZEN F.MESSER NIVELLIERVORR.'11	PIVOT CPL POUR LAME DE NIVELLEMENT '11	PERNO CPLXCUCHILLA NIVELADORA '11	
003	19815191	LH ADDITIONAL GRADER BLADE ' 11	LAMA LIVELLATRICE AGGIUNTIVA SX MOD. 11	MESSER NIVELLIERVORR.ZUSAETZL. X ' 11	LAME DE NIVELLEMENT SUPPLÉMENTAIRE G.' 1	CUCHILLA NIVELADORA ADICIONAL IZQ ' 11	
004	19815190	RH ADDITIONAL GRADER BLADE ' 11	LAMA LIVELLATRICE AGGIUNTIVA DX MOD. 11	MESSER NIVELLIERVORR.ZUSAETZL. RX ' 11	LAME DE NIVELLEMENT SUPPLÉMENTAIRE D.' 1	CUCHILLA NIVELADORA ADICIONAL DER ' 11	
006	19815226	SEALING RING 100 X130 X12	ANELLO DI TENUTA 100 X130 X12	DICHTUNGSRING 100 X130 X12	ANNEAU D'ÉTANCHÉITÉ 100 X130 X12	RETÉN 100 X130 X12	
007	19815225	ROLLER SUP.HR 32918J 90X 125X 23 CON	CUSCINETTO HR 32918J 90X 125X 23 RUL.CON	LAGER HR 32918J 90X 125X 23 WALZE KONISC	ROULEMENT HR 32918J 90X 125X 23 ROUL.A.	COJINETE HR 32918J 90X 125X 23 RODILL.CO	
008	19815163	SUPPORT CPLXGRADER BLADE ' 11	SUPPORTO CPL X LAMA LIVEL. MOD. 11	KPL.HALTER.F.MESSER NIVELLIERVORR.' 11	SUPPORT CPL POUR LAME DE NIVEL.' 11	SOPORTE CPLXCUCHILLA NIVEL.' 11	
009	97156021	SELFBLOCK NUT M20-6S UNI747	DADO AUTOBLOC.ALTO M20 -6S UNI747	SELBSTSICHER.MUTTER M 20-6S UNI7474 HOCH	ECROU AUTOSERR M20-6S UNI747	TUERCA AUTO BLOQ. M20-6S UNI747	
010	97495431	WASHER ELSP ASA B- 27 - 20,2X33,6X4 ZN	RONDELLA DIN 127B ELSP- 20,2X33,6X4 Z	SCHEIBE ELSP ASA B- 27 - 20,2X33,6X4 ZN	RONDELLE ELS ASA B- 27 - 20,2X33,6X4 ZN	ARANDELA ELSP ASA B-27- 20,2X33,6X4 ZN	
011	97096011	SMOOTH WASHER UNI 6592 - 20X37X3,0 ZN	ROSETTA PIANA 21,0X37X3,0 M20 ZN UNI6592	GLATTE SCHEIBE UNI 6592 - 20X37X3 ZN	RONDELL.LISSE UNI 6592 - 20X37X3,0 ZN	ARANDELA PLANA UNI 6592- 20,0X37X3,0 ZN	
012	40002012	TAPERED ROLLER support 32008 X 40X68X19	CUSCINETTO 32008 X 40X68X19 RUL CON	LAGER 32008 X 40X68X19 KEGELWALZE	ROULEMENT 32008 X 40X68X19 ROUL AVEC	COJINETE 32008 X 40X68X19 ROD CON	
013	19703042	SELFBLOCKING LOCKRING M40 X 1,5	GHIERA AUTOBLOCCANTE M40 X 1,5	SELBSTFIXIERENDE NUTMUTTER M40 X 1,5	COLLIER AUTOSERRANT M40 X 1,5	ARO AUTOBLOCCANTE M40 X 1,5	
014	19815227	TURNED CLOSURE MOD. 11	CHIUSURA TORNITA MOD. 11	GEDREHTER VERSCHLUSS MOD. 11	FERMETURE TOURNEE MOD. 11	CIERRE TORNEADO MOD. 11	
015	97494831	WASHER ELSP ASA B- 27 - 08,2X14,8X2 ZN	RONDELLA DIN 127B ELSP- 8,2X14,8X2 Z	SCHEIBE ELSP ASA B- 27 - 08,2X14,8X2 ZN	RONDELLE ELS ASA B- 27 - 08,2X14,8X2 ZN	ARANDELA ELSP ASA B-27- 8,2X14,8X2 ZN	
016	96605521	BOLT TE M 08X020 UNI 5739 8.8 ZN	VITE TE M 8X 20 UNI 5739 8.8 ZN	SCHRAUBE TE M 8 X 20 UNI 5739 8.8 ZN	VIS TE M 08X020 UNI 5739 8.8 ZN	TORNILLO TE M 8X 20 UNI 5739 8.8 ZN	
017	96611821	BOLT TE M 14X050 UNI 5737 8.8 ZN	VITE TE M14X 50 UNI 5737 8.8 ZN	SCHRAUBE TE M 14 X 50 UNI 5737 8.8 ZN	VIS TE M 14X050 UNI 5737 8.8 ZN	TORNILLO TE M14X 50 UNI 5737 8.8 ZN	
018	96615027	HEX HEAD SCREW M16X 60 UNI 5739 8.8 BLAC	VITE TE M16X 60 UNI 5739 8.8 NERA	SCHRAUBE TE M16X 60 UNI 5739 8.8 SCHW.	VIS TH M16X 60 UNI 5739 8.8 NOIRE	TORNILLO TE M16X 60 UNI 5739 8.8 NEGRO	
019	97095711	SMOOTH WASHER UNI 6592 - 16X30X3,0 ZN	ROSETTA PIANA 17,0X30X3,0 M16 ZN UNI6592	GLATTE SCHEIBE UNI 6592 - 16X30X3 ZN	RONDELL.LISSE UNI 6592 - 16X30X3,0 ZN	ARANDELA PLANA UNI 6592- 16,0X30X3,0 ZN	
020	17115114	RH BOOM FOR GRAD. BLADE	BRACCIO DX X LAMA LIV.	ARM RECHTS FUER MESSER NIVELLIERVORR..	BRAS DROIT POUR LAME DE NIV.	BRAZO DER X CUCHILLA NIVELADORA	
021	16915021	SPACER PLATE TH.5	PIATTO DISTANZIALE SP.5	PLATTE ABSTANDSTUECK SP.5	PLATEAU ENTRETOISE ?P.5	PLATO DISTANCIADOR SP.5	
022	17115121	BEAM CPL FOR BLADE 250	TRAVERSA CPL X LAMA 250	QUERROHR KPL FUER MESSER 225	TRAVERSE CPL POUR LAME 250	TRAVESAÑO CPL X CUCHILLA 250	
022	19815205	BEAM CPL X BLADE 175	TRAVERSA CPL X LAMA 175	KPL. QUERROHR FUER MESSER 175	TRAVERSE CPL POUR LAME 175	TRAVESAÑO CPL X CUCHILLA 175	
022	19815206	BEAM CPL X BLADE 200	TRAVERSA CPL X LAMA 200	KPL. QUERROHR FUER MESSER 200	TRAVERSE CPL POUR LAME 200	TRAVESAÑO CPL X CUCHILLA 200	

Pos.	Code	Description	Descrizione	Beschreibung	Description	Descripción	Info
022	19815207	BEAM CPL X BLADE 225	TRAVERSA CPL X LAMA 225	KPL. QUERROHR FUER MESSER 225	TRAVERSE CPL POUR LAME 225	TRAVESAÑO CPL X CUCHILLA 225	
024	96618421	BOLT TE M 20X150 UNI 5737 8.8 ZN	VITE TE M20X150 UNI 5737 8.8 ZN	SCHRAUBE TE M 20 X 150 UNI 5737 8,8 ZN	VIS TE M 20X150 UNI 5737 8.8 ZN	TORNILLO TE M20X150 UNI 5737 8.8 ZN	
027	17912006	PROTECTION SHEATH D. 32 L=2000	GUAINA DI PROTEZIONE D.32 L=2000	SCHUTZHUELLE D. 35 L=2000	GAINÉ DE PROT. D. 32 L=2000	VAINA PROTECCION D. 35 L=2000	
028	19815230	SIDE STONE GUARD TUBEXCYLINDER CPL	TUBO PARASASSI LATERALE X CILINDRO CPL	KPL.ROHR SEITL.STEINSCHUTZ F.ZYLINDER	TUYAU PROT.CONTRE LES PIERRES P.CYL. CPL	TUBO PROTECTOR PIEDRAS LATERALXCILINDRO	
029	17901046	PIN WITH DRIP D19X112 INT=28 M10	PERNO CON GOCCIA D19X112 INT=28 M10	BOLZEN M.PLATTE D19X112 INT=28 M10	PIVOT AVEC GOUTTE D19X112 INT=28 M10	PERNO DE GOTA D19X112 INT=28 M10	
030	96607521	BOLT TE M 10X020 UNI 5739 8.8 ZN	VITE TE M10X 20 UNI 5739 8.8 ZN	SCHRAUBE TE M 10X20 UNI 5739 8,8 ZN	VIS TE M 10X020 UNI 5739 8.8 ZN	TORNILLO TE M10X 20 UNI 5739 8.8 ZN	
031	97494931	WASHER ELSP ASA B- 27 - 10,2X18,1X2,2 ZN	RONDELLA DIN 127B ELSP-10,2X18,1X2,2 Z	SCHEIBE ELSP ASA B-27 - 10,2X18,1X2,2 ZN	RONDELLE ELS ASA B- 27 - 10,2X18,1X2,2 Z	ARANDELA ELSP ASA B-27-10,2X18,1X2,2 ZN	
032	97095111	SMOOTH WASHER UNI 6592 - 10,5X21X2,0 ZN	ROSETTA PIANA 10,5X20X2,0 M10 ZN UNI6592	GLATTE SCHEIBE UNI 6592 - 10,5X21X2 ZN	RONDELL.LISSE UNI 6592 - 10,5X21X2,0 ZN	ARANDELA PLANA UNI 6592-10,5X21X2,0 ZN	
033	43001044	HYDR. CYL. 40X25X160	CILINDRO HYD 40X20X160 (393-553)	HYDR. ZYLINDER 40 X 20 X 160 (393-553)	CYL.HYDR. 40X25X160	CILINDRO HIDR. 40 X 25 X 160 (370 - 530)	
034	20012009	JOIN 90° M-M GIREVOLE 1/4" + GUARNIZ.	CURVA 90° COMPATTA M - M ORIENT. 1/4"	KNIE 90° M-M DREHBAR 1/4" + DICHTUNG	CONNECTIONS 90° M-M GIREVOLE 1/4" + GUAR	CONNECTIONS 90° M-M GIREVOLE 1/4" + GUAR	
035	14012043	HYDR. TUBE SAE R2ATDN 1/4"X 3000 FD-FD	TUBO IDR R2AT 1/4" 3000-FD-FD	SCHLAUCH SAE R2ATDN 1/4"X 3000 FD-FD	TUYAU IDR SAE R2ATDN 1/4"X 3000 FD-FD	TUBO HIDR SAE R2ATDN 1/4"X 3000 FD-FD	
035	36912029	HOSE SAE 100R2ATDN1/4"X4000 O/MD	TUBO IDR R2AT 1/4" 4200-FD-O	SCHLAUCH SAE 100R2ATDN1/4"X4000 O/MD	TUBE SAE 100R2ATDN1/4"X4000 O/MD	TUBO SAE R2ATDN 1/4"X 4200 FD -O	
036	19312012	COUPLING M1/4"-M1/4"	RACCORDO PASSAPARETE M1/4"-M1/4"	ANSCHLUSS M1/4" - M1/4"	JOINT M1/4"-M1/4"	EMPALME M1/4"-M1/4"	
037	16912025	HYDR. TUBE SAE R2ATDN 1/4"X 1500 FD-FD	TUBO IDR R2AT 1/4" 1500-FD-FD	SCHLAUCH SAE R2ATDN 1/4"X 1500 FD-FD	TUYAU HYDR SAE R2ATDN 1/4"X 1500 FD-FD	TUBO HIDR SAE R2ATDN 1/4"X 1500 FD-FD	
038	13012035	ROTARY TEE FITTING 1/2" F	RACCORDO A "T" 1/2" F GIREVOLE	T-ANSCHLUSS 1/2" F DREHBAR	RACCORD EN « T » 1/2" F ROTATIF	RACOR DE "T" 1/2" H GIRATORIO	
038	18612058	"T" FITTING M-M-F SID.ROT.3/8"	RACCORDO A "T" M-M-F GIR.LAT. 3/8"	"T"-ANSCHLUSS M-M-F DREHBAR.SEITL.3/8"	RACCORD EN ½ T ? M-M-F TOUR.LAT.3/8"	RACOR 3/8"	
039	96508460	COPPER GASKET 21,5X27 (1/2")	GUARNIZ.TIPO BONDED AUTOCENT. 1/2"	KUPFERDICHTUNG 21,5 X 27 (1/2")	JOINT EN CUIVRE 21,5X27 (1/2")	JUNTA SECC. RECT. A21,5X 27 (1/2")	
040	19412004	"FASTER" CLUTCH 1/2"M	INNESTO RAPIDO TIPO "FASTER" 1/2" M	SCHNELLKUPPLUNG "FASTER" 1/2"M	EMBRAYAGE RAPID "FASTER" 1/2"M	EMBRAGUE RAPIDO "FASTER" 1/2" MACHO	
041	96607621	BOLT TE M 10X025 UNI 5739 8.8 ZN	VITE TE M10X 25 UNI 5739 8.8 ZN	SCHRAUBE TE M 10 X 25 UNI 5739 8,8 ZN	VIS TE M 10X025 UNI 5739 8.8 ZN	TORNILLO TE M10X 25 UNI 5739 8.8 ZN	
044	19004034	PIN WITH PLATE D 30X130 INT=45	PERNO CON GOCCIA D30X135 INT=45 M10	BOLZEN M.PLATTE D 30X130 INT=45	GOUJON A.PLAQUE D 30X130 INT=45	PERNO CON PLACA D 30X135 INT=45	
044	19012034	PIN WITH PLATE D30X120 INT=45	PERNO CON GOCCIA D30X120 INT=45 M10	BOLZEN M. PLATTE D30X120 INT=45	GAUJON A.PLAQUE D30X120 INT=45	PERNO CON PLACA D30X120 INT=45	
045	17112011	HYD CYLINDER 80X40X250 (550-800)	CILINDRO HYD 80X40X250 (550-800)	HYD. ZYLINDER 80X40X250 (550-800)	CYLINDRE HYD 80X40X250 (550-800)	CILINDRO HYD 80X40X250 (550-800)	
046	10412105	HOSE SAE R2ATDN 1/4"X 2200 FD -FD	TUBO IDR R2AT 1/4" 2200-FD-FD	SCHLAUCH SAE R2ATDN 1/4"X 2200 FD-FD	TUBE SAE R2ATDN 1/4"X 2200 FD -FD	TUBO SAE R2ATDN 1/4"X 2200 FD -FD	
047	96528060	COPPER GASKET 33,6X39,2 (1")	GUARNIZ.TIPO BONDED AUTOCENT. 1"	KUPFERDICHTUNG 33,6 X 39,2 (1")	JOINT EN CUIVRE 33,6X39,2 (1")	JUNTA SECC. RECT. A33,6X 39,2 (1")	
048	19412009	OIL CAP 1/2"-1/4"	NIPPLO DI RIDUZIONE M-M 1/2" - 1/4"	REDUZIERNIPPL 1/2"-1/4"	TUBULURE 1/2"-1/4"	EMPALME REDUCTOR M-M 1/4"-1/2"	
050	17112002	DISTR.3 WAY	DIVISORE DI FLUSSO RIUNIF 50-50 DFR38-01	OELFLUSSVERTEILER DFR38 -01	DISTRIBUTOR	DIVISOR DE CAUDAL 50-50 DFR38-01	
050	17112003	ALUM.BLOC	BLOCCO DFR A 3 VIE 3/8"	BLOCK DFR 3-WEGE 3/8"	BLOC D'ALUM.	BLOQUE ALUM.	
051	19012008	COUPLING M-M 3/8"	NIPPLO M-M 3/8"	ANSCHLUSS STUECK - M 3/8"	JOINT M-M 3/8"	EMPALME M-M 3/8"	
051	19012009	COUPLING M-M 1/2"	NIPPLO M-M 1/2"	NIPPL M-M 1/2"	JOINT M-M 1/2"	EMPALME M-M 1/2"	

Pos.	Code	Description	Descrizione	Beschreibung	Description	Descripción	Info
053	97494731	WASHER ELSP ASA B- 27 - 06,1X11,8X1,6 ZN	RONDELLA DIN 127B ELSP-6,1X11,8X1,6 Z	SCHEIBE ELSP ASA B-27 - 06,1X11,8X1,6 ZN	RONDELLE ELS ASA B- 27 - 06,1X11,8X1,6 Z	ARANDELA ELSP ASA B-27-6,1X11,8X1,6 ZN	
054	96690227	BOLT TCEI M 6X 90 UNI 5931 8.8 ZN	VITE TCEI M 6X 90 UNI 5931 8.8 ZN	SCHRAUBE TCEI M 6X 90 UNI 5931 8.8 ZN	VIS TCEI M 6X 90 UNI 5931 8.8 ZN	TORNILLO TCEI M 6X 90 UNI 5931 8.8 ZN	
055	16912024	HYDR. TUBE SAE R2ATDN 3/8"X 1500 FD-FD	TUBO IDR R2AT 3/8" 1500-FD-FD	SCHLAUCH SAE R2ATDN 3/8"X 1500 FD-FD	TUYAU HYDR SAE R2ATDN 3/8"X 1500 FD-FD	TUBO HIDR SAE R2ATDN 3/8"X 1500 FD-FD	
056	10212010	REDUCTION NIPPLE M-M M27X2 - 1"	NIPPLO DI RIDUZIONE M-M M27X2 - 1"	ANPASSUNGSTUECK M-M M27X2 - 1"	MAMELON DE REDUCTION M-M M27X2 - 1"	NIPLE DE REDUCCIEN M-M M27X2 - 1"	
056	10512099	ADAPTING COUPLING M-M 1/2"-3/4" 6687744	NIPPLO DI RIDUZIONE M-M 3/4" - 1/2"	REDUZIERNIPPL M-M 1/2"-3/4"	JOINT ADAPTEUR M-M 1/2"-3/4"	EMPALME REDUCTOR M-M 1/2"-3/4"	
057	17712029	PANEL FEED-THROUGH FITTING M3/8"-M3/8"	RACCORDO PASSAPARETE M3/8"-M3/8"	ANSCHLUSS SCHOTTVERSCHRAUBUNG M3/8"-M3/8	RACCORD PASSE-PAROI M3/8"-M3/8"	RACOR PASAMUROS M3/8"-M3/8"	
058	96508360	COPPER GASKET 17 X 22 (3/8")	GUARNIZ.TIPO BONDED AUTOCENT. 3/8"	KUPFERDICHTUNG 17 X 22 (3/8")	JOINT EN CUIVRE 17 X 22 (3/8")	JUNTA SECC. RECT. A17 X 22 (3/8")	
060	10412093	MINI TEST COUPLING G1/4" AK04GOR	MINIPRESA X PRES MASCHIO G1/4" AK04GOR	MINIST. F. KONTAKTST. G1/4" AK04GOR	MINI PRISE POUR PRISE MÂLE G1/4" AK04GOR	MINITOMAXTOMA MACHO G1/4" AK04GOR	
061	10612116	HOSE MINIMESS 1500MM 1/4"180-FAA-15	TUBETTO MINIMESS L=1500MM 1/4"180-FAA-15	SCHLAUCH MINIMESS 1500MM 1/4"180-FAA-15	TUBE MINIMESS 1500MM 1/4"180-FAA-15	TUBO MINIMESS 1500MM 1/4"180-FAA-15	
062	17101209	CPL PRESSURE GAUGE SUPPORT	SUPPORTO MANOMETRO CPL	HALTERUNG MANOMETER KPL	SUPPORT MANOM?TRE CPL	SOPORTE MANÈMETRO CPL	
063	17603069	PRESSURE GAUGE 0-400 BAR 213.53.100 + FL	MANOMETRO 0-400 BAR 213.53.100 + FL. 3F	MANOMETER 0-400 BAR 213.53.100 + FL. 3F	MANOMÈTRE 0-400 BAR 213.53.100 + FL. 3F	MANÓMETRO 0-400 BAR 213.53.100 + FL. 3F	
064	97094511	SMOOTH WASHER UNI 6592-05,3X10X1,0 ZN	ROSETTA PIANA 05,3X10X1,0 M 5 ZN UNI6592	GLATTE SCHEIBE UNI 6592-5,3X10X1 ZN	RONDELL. LISSE UNI 6592-05,3X10X1,0 ZN	ARANDELA PLANA UNI 6592-05,3X10X1,0 ZN	
064	97094611	SMOOTH WASHER UNI 6592-06,4X11X1,6 ZN	ROSETTA PIANA 06,4X12X1,6 M 6 ZN UNI6592	GLATTE SCHEIBE UNI 6592-6,4X11X1,6 ZN	RONDELL. LISSE UNI 6592-06,4X11X1,6 ZN	ARANDELA PLANA UNI 6592-06,4X11X1,6 ZN	
065	96687721	SOCKET HEAD SCREW M 5X 16 UNI 5931 8.8 G	VITE TCEI M 5X 16 UNI 5931 8.8 ZN	SCHRAUBE TCEI M 5X 16 UNI 5931 8.8 ZN	VIS CHC M 5X 16 UNI 5931 8.8 ZN	TORN.ALLEN M 5X 16 UNI 5931 8.8 GALV.	
065	96689121	BOLT TCEI M 06X016 UNI 5931 8.8 ZN	VITE TCEI M 6X 16 UNI 5931 8.8 ZN	SCHRAUBE TCEI M 6 X 16 UNI 5931 8.8 ZN	VIS TCEI M 06X016 UNI 5931 8.8 ZN	TORNILLO TCEI M 6X 16 UNI 5931 8.8 ZN	
066	21012025	SUPPORT ACCUMULTOR X SAV	SUPPORTO ACCUMULATORE AZOTO X SAV	HALTERUNG F. STICKSTOFFSPEICHER SAV	SUPPORT ACCUMULTEUR X SAV	SUPPORT ACCUMULADOR X SAV	
068	10412018	HYDR. TUBE SAE R2ATDN 3/8"X 950 FD-FD	TUBO IDR R2AT 3/8" 950-FD-FD	SCHLAUCH SAE R2ATDN 3/8"X 950 FD-FD	TUYAU HYDR SAE R2ATDN 3/8"X 950 FD-FD	TUBO HIDR SAE R2ATDN 3/8"X 950 FD-FD	
069	16912005	NITROGEN ACCUMULATOR CPL 504/AM1 5P210	ACCUMULATORE DI AZOTO CPL 504/AM1 5P210	STICKST.SPEICHER KPL 504/AM1 5P210	ACCUMULATEUR D'AZOTE CPL 504/AM1 5P210	ACUMULADOR NITRÓGENO CPL 504/AM1 5P210	
069	21012022	NITROGEN ACCUMULATOR 504-AM1,5P210	ACCUMULATORE DI AZOTO 504-AM1,5P210CG8	DRUCKAUSGLEICHGEFAESS (STUECKSTOFFSP.)	ACCUMULATEUR D' AZOTE 504-AM1,5P210	ACCUMULADOR DE NITROG. 504-AM1,5P210	
070	42012059	SHAFT M 3/8" - F 1/4" L=33	TAPPO RIDUZIONE M 3/8" - F 1/4"	ANPASSUNGSTUECK M 3/8" - F 1/4" L=33	PROLONGE M 3/8" - F 1/4" L=33	PROLONGACION M 3/8" - F 1/4" L=33	
071	47012058	HYD.HOSE R2AT 1/2" 1100-FD-F90	TUBO IDR R2AT 1/2" 1100-FD-F90	SCHLAUCH R2AT 1/2" 1100-FD-F90	TUYAU HYDR R2AT 1/2" 1100-FD-F90	TUBO HIDR R2AT 1/2" 1100-FD-F90	
072	10412152	ADAPTING COUPLING M-M 1/4"-3/8"	NIPPLO DI RIDUZIONE M-M 3/8" - 1/4"	REDUZIERNIPPL M-M 1/4"-3/8"	JOINT ADAPTEUR M-M 1/4"-3/8"	EMPALME REDUCTOR M-M 1/4"-3/8"	
073	17908029	PIN WITH PLATE D 19X 80 INT=28	PERNO CON GOCCIA D19X 90 INT=28 M10	BOLZEN M.PLATTE D 19X 80 INT=28	GOUJON A.PLAQUE D 19X 80 INT=28	PERNO CON PLACA D 19X 90 INT=28	
074	21004040	PIN WITH PLATE D 30X 95 INT=45	PERNO CON GOCCIA D30X 95 INT=45 M10	BOLZEN M.PLATTE D 30X 95 INT=45	GOUJON A.PLAQUE D 30X 95 INT=45	PERNO CON PLACA D 30X 95 INT=45	
075	36915040	RUBBER COATED CABLE SLEEVE D.16	PASSACAVO GOMMATO D.16	KABELDURCHGANG AUS GUMMI D.16	PASSE-C?BLE EN CAOUTCHOUC D.16	PASACABLES DE GOMA D.16	
076	48112031	#N/D	CURVA 90° M-F GIREVOLE G 1/4"	BIEGEUNG 90 M-W DREHBAR 1/4"	COURBE 90 M-H	CODO 90° M-H GIRATORIO 1/4"	
077	10412161	REDUCTION FITTING F1" - M1/2" L.ES=31	RACCORDO RIDUZ. F1" - M1/2" L.ES=31	ANSCHLUSS REDUZ. F1" - M1/2" L.ES=31	RACCORD REDUCT. F1" - M1/2" L.ES=31	EMPALME REDUC. F1" - M1/2" L.ES=31	
077	75000400	COUPLING M1/4"-F3/8"	RACCORDO RIDUZ. F3/8" - M1/4" L.ES=22	REDUZIERSTUECK M 1/4" - F 3/8"	JOINT M1/4"-F3/8"	EMPALME M1/4"-F3/8"	
078	96508160	COPPER GASKET 14 X 18 (1/4")	GUARNIZ.TIPO BONDED AUTOCENT. 1/4"	KUPFERDICHTUNG 14 X 18 (1/4")	JOINT EN CUIVRE 14 X 18 (1/4")	JUNTA SECC. RECT. A14 X 18 (1/4")	

Pos.	Code	Description	Descrizione	Beschreibung	Description	Descripción	Info
079	96607631	HEX HEAD SCREW M10X 25 UNI 5739 10.9 GV	VITE TE M10X 25 UNI 5739 10.9 ZN	SCHRAUBE TE M10X 25 UNI 5739 10.9 ZN	VIS TH M10X 25 UNI 5739 10.9 ZN	TORNILLO TE M10X 25 UNI 5739 10.9 GALV	
080	17112005	CAP M 27X2	TAPPO BRUGOLA M 27X2	PFROPFEN F. INBUSSCHLUESSEL M 27X2	BOUCHON M 27X2	TAPON M 27X2	
081	19412007	BOLT FOR COUPLING 1/4"	VITE X RACCORDO AD OCCHIO 1/4"	SCHRAUBE F. ANSCHLUSSSTUECK 1/4"	VIS POUR JOINT 1/4"	TORNILLO X EMPALME A OJO 1/4"	
082	19412002	HOSE SAE 100R2ATDN1/4"X2200 O/FD	TUBO IDR R2AT 1/4" 2200-FD-O	SCHLAUCH SAE 100R2ATDN1/4"X2200 O/FD	TUBE SAE 100R2ATDN1/4"X2200 O/FD	TUBO SAE R2ATDN 1/4"X 2200 FD -O	
082	96609521	BOLT TE M 12X045 UNI 5739 8.8 ZN	VITE TE M12X 45 UNI 5737 8.8 ZN	SCHRAUBE TE M 12 X 45 UNI 5739 8,8 ZN	VIS TE M 12X045 UNI 5739 8.8 ZN	TORNILLO TE M12X 45 UNI 5737 8.8 ZN	
085	96605521	BOLT TE M 08X020 UNI 5739 8.8 ZN	VITE TE M 8X 20 UNI 5739 8.8 ZN	SCHRAUBE TE M 8 X 20 UNI 5739 8,8 ZN	VIS TE M 08X020 UNI 5739 8.8 ZN	TORNILLO TE M 8X 20 UNI 5739 8.8 ZN	
086	97094911	SMOOTH WASHER UNI 6592 - 08,4X16X1,6 ZN	ROSETTA PIANA 08,4X16X1,6 M 8 ZN UNI6592	GLATTE SCHEIBE UNI 6592 - 8,4X16X1,6 ZN	RONDELL.LISSE UNI 6592 - 08,4X16X1,6 ZN	ARANDELA PLANA UNI 6592-08,4X16X1,6 ZN	
087	96617627	BOLT TE M 20X055 UNI 5739 8.8 ZN	VITE TE M20X 55 UNI 5739 8.8 ZN	SCHRAUBE 20X055 UNI 5739 8.8 ZN	VIS TE M 20X055 UNI 5739 8.8 ZN	TORNILLO TE M20X 55 UNI 5739 8.8 ZN	
088	97096011	SMOOTH WASHER UNI 6592 - 20X37X3,0 ZN	ROSETTA PIANA 21,0X37X3,0 M20 ZN UNI6592	GLATTE SCHEIBE UNI 6592 - 20X37X3 ZN	RONDELL.LISSE UNI 6592 - 20X37X3,0 ZN	ARANDELA PLANA UNI 6592-20,0X37X3,0 ZN	
089	97495431	WASHER ELSP ASA B- 27 - 20,2X33,6X4 ZN	RONDELLA DIN 127B ELSP-20,2X33,6X4 Z	SCHEIBE ELSP ASA B- 27 - 20,2X33,6X4 ZN	RONDELLE ELS ASA B- 27 - 20,2X33,6X4 ZN	ARANDELA ELSP ASA B-27-20,2X33,6X4 ZN	
090	97972821	LOW.SELFBLOCK.NUT M 20-6S UNI7474	DADO AUTOBLOC.BASSO M20-6S UNI7474	SELBSTSICHER.MUTTER M20-6S UNI7474 NIED.	ECROU AUTOSERR.M 20-6S UNI7474	TUERCA AUTO BLOQ. BAJA M 20-6S UNI7474	
091	17115111	LH BOOM FOR GRAD BLADE.	BRACCIO SX X LAMA LIV.	ARM LINKS FUER MESSER NIVELLIERVORR..	BRAS GAUCHE POUR LAME DE NIV.	BRAZO IZQ X CUCHILLA NIVELADORA	
092	97036611	GREASE NIPPLE UNI 7663 AM 6-5.8	INGRASS DIRITTO UNI 7663A M 6X1(5-8CH7	SCHMIERNIPPEL UNI 7663 AM 6X1 (5-8)	GRAISSEUR UNI 7663 AM 6-5.8	LUBRICADOR UNI 7663 AM 6X1 (5-8CH7	
093	97094911	SMOOTH WASHER UNI 6592 - 08,4X16X1,6 ZN	ROSETTA PIANA 08,4X16X1,6 M 8 ZN UNI6592	GLATTE SCHEIBE UNI 6592 - 8,4X16X1,6 ZN	RONDELL.LISSE UNI 6592 - 08,4X16X1,6 ZN	ARANDELA PLANA UNI 6592-08,4X16X1,6 ZN	
094	97495131	WASHER ELSP ASA B- 27 - 14,2X24,1X3 ZN	RONDELLA DIN 127B ELSP-14,2X24,1X3 Z	SCHEIBE ELSP ASA B- 27 - 14,2X24,1X3 ZN	RONDELLE ELS ASA B- 27 - 14,2X24,1X3 ZN	ARANDELA ELSP ASA B-27-14,2X24,1X3 ZN	
095	97972321	LOW.SELFBLOCK.NUT M 14-6S UNI7474	DADO AUTOBLOC.BASSO M14-6S UNI7474	SELBSTSICHER.MUTTER M14-6S UNI7474 NIED.	ECROU AUTOSERR.M 14-6S UNI7474	TUERCA AUTO BLOQ. BAJA M 14-6S UNI7474	
096	19712047	EXTENSION SLEEVE F-F 1/4" L=30	1ANICOTTO PROLUNGA F-F 1/4" L=30	MUFFE VERLAENGERUNG F-F 1/4" L=30	MANCHON RALLONGE F-F 1/4" L=30	MANGUITO PROLONGACIÓN H-H 1/4" L=30	
097	48120018	ADAPTING COUPLING M 1/2"- F1/4"	TAPPO RIDUZIONE M 1/2" - F 1/4"	REDUZIERSTUECK M 1/2" - F1/4"	JOINT ADAPTEUR M 1/2"- F1/4"	EMPALME DE REDUCCION M 1/2" - F 1/4"	